

TOP TECH

# ALTOCUT-CL SERIES

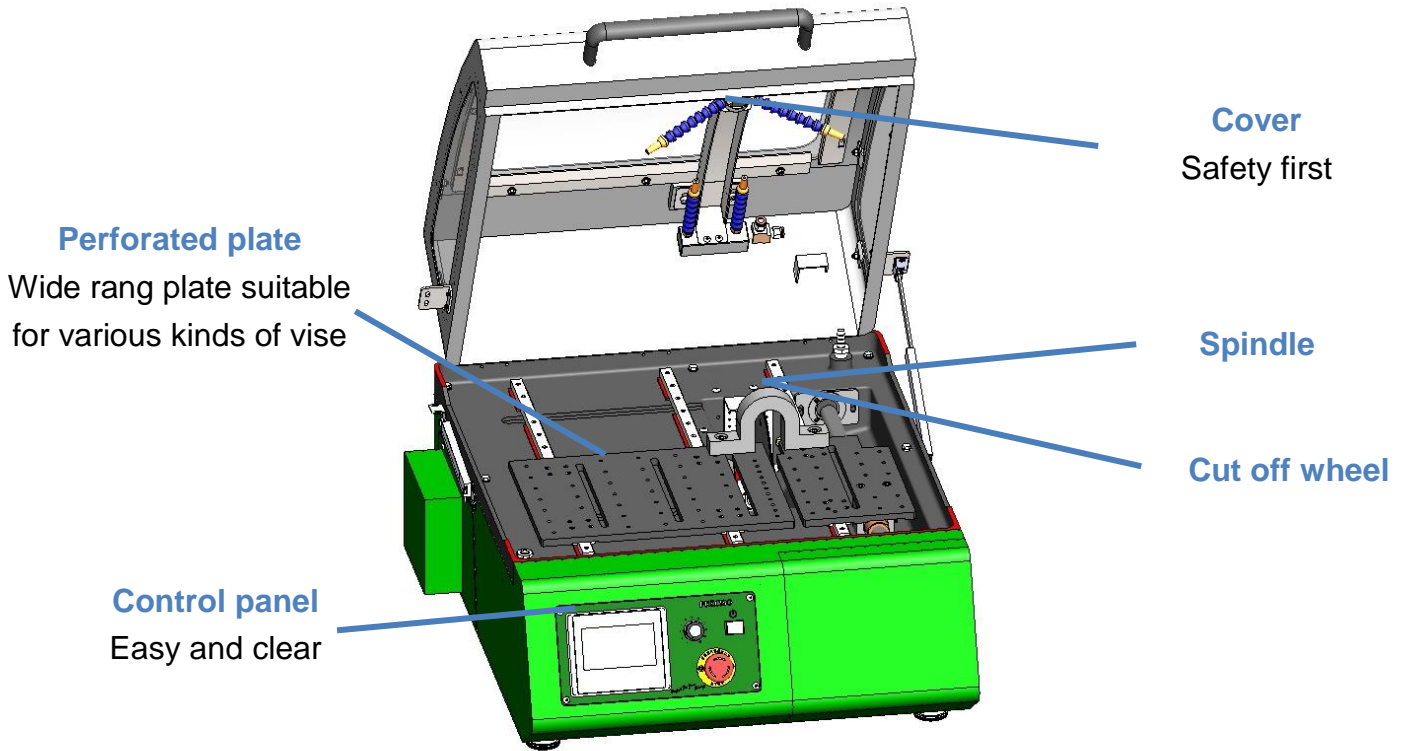
CLM35B



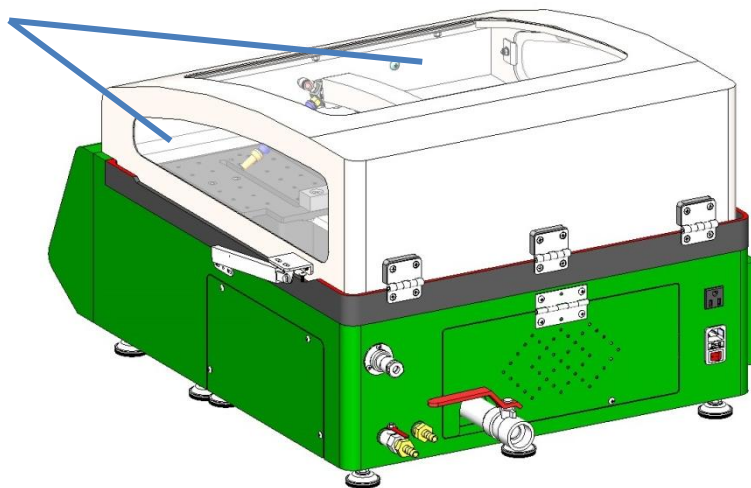


TOP TECH

## Instruction




**Front/side window**  
Machine viewing

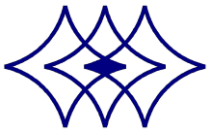


## Worthy Options - Working Table



**Working Table**  
 Multifunctional working table, it supplies you a place to put your machine and store your accessories. It can be moved easily.

<b>Model No.</b>	TF02
<b>Size</b>	1200*1000*700 mm
<b>Sample</b>	



TOP TECH

## Specification

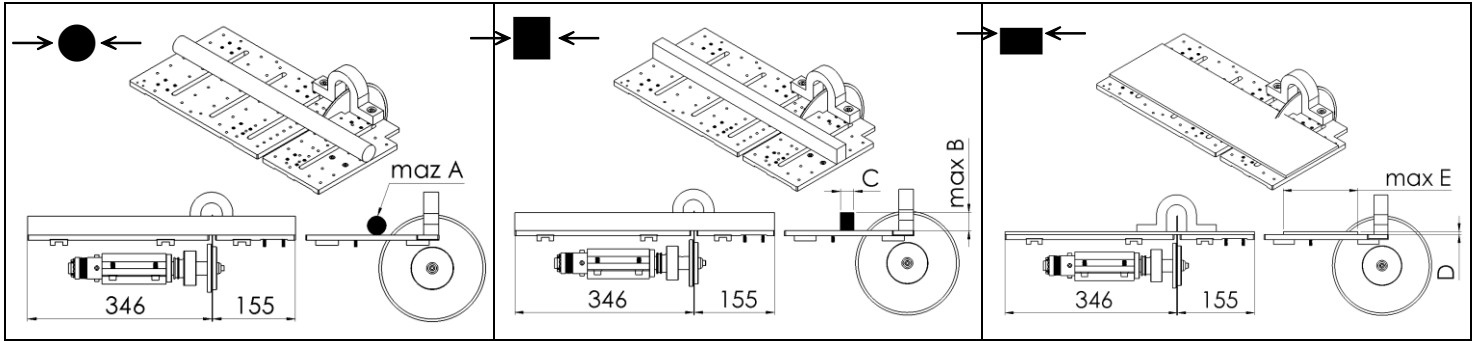
Specification		CLM35B
Motor power		250W
Perforated plate		500mmx200mm
Cut off blade		Max. $\phi$ 200mm( 8")
Feeding rate		0~150 mm/min (Min:25)
Feeding Method	Auto	Button control, automatic home point return after cutting
	Manual	Button control
Rotational speed		0~2000RPM
Horizontal movement		250mm
Clamp type		Quick vise
Cooling		1/4 HP
Water tank capacity		17L
Machine dimension WxDxH		650mm x 890mm x 450mm
Power supply		1 $\phi$ AC220V
Optional vise		Special vise can be customized

**We reserve the right of change design without notice.**



TOP TECH

## Cutting Capacity



Model	●		■		■	
	A(mm)	A cutting area(mm <sup>2</sup> )	B(mm)	B x C	E(mm)	E x D
CLM35B	Ø35	961.625	35	35x25.8	60	60x15t
					E(mm)	E x D
					150	150x6t

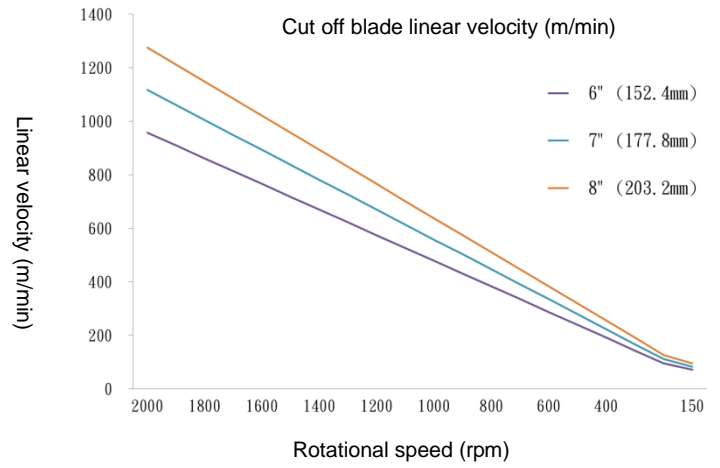
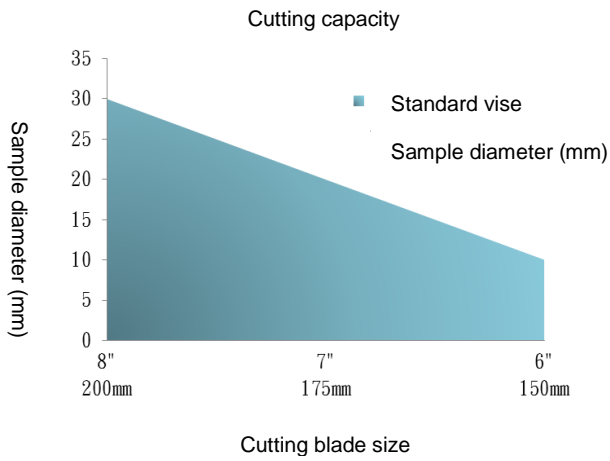
**Square area surface calculation method:**

The maximum height is B, the maximum width is E.  $B \times C$  or  $E \times D \leq A$  surface area.

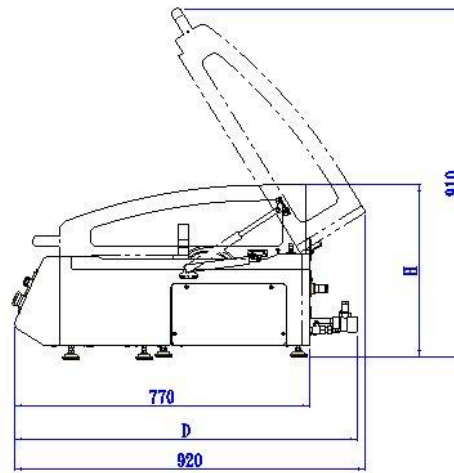
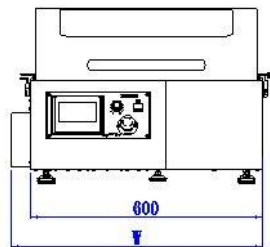
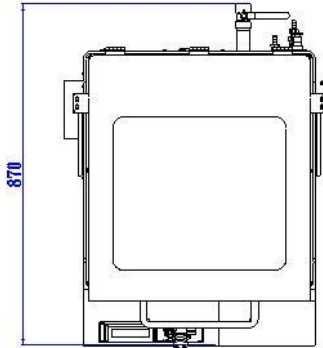
**Material application:** Alloy tool steel SKS, SKD, SKT, SUP as heat treatment mechanical metal components, ordinary carbon steel, mechanical structure steel S-C series, tool steel SK series, and soft steel SS series.

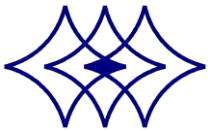
Surface area can be cut in according to its degree of heat treatment

## Parameter



- 1.Parameter for reference only.
- 2.Practical parameter depends on wheel, sample material, cutting speed, vise,etc.







TOP TECH

## Consumables

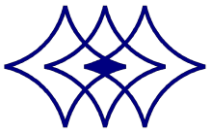
No	DIAMOND / CBN CUTTING		DIAMOND CUTTING	
	RESIN BOND		SEGMENTED RIM	
	DESCRIPTION		DESCRIPTION	
1	4"(100mm)	Ø100xØ12.7x0.5t	75mm	Ø75xØ11.5x1t
2	5"(125mm)	Ø125xØ12.7x0.5t	85mm	Ø85xØ11.5x1t
3	6"(150mm)	Ø150xØ12.7x0.5t	4"(100mm)	Ø100xØ12.7x0.5t
4	7"(175mm)	Ø175xØ25.4x0.6t	5"(125mm)	Ø150xØ25.4x1.2t
5	8"(200mm)	Ø200xØ25.4x1.0t	6"(150mm)	Ø150xØ25.4x1.2t
6	10"(250mm)	Ø250xØ31.75x2.0t	7"(175mm)	Ø175xØ25.4x1.2t
7	12"(300mm)	Ø300xØ31.75x2.0t	8"(200mm)	Ø200xØ25.4x1.2t

## COOLANT

No.	DESCRIPTION	SIZE	Q'TY/PACK
1	OIL BASED-Creamy white	1L	20L

DIAMOND	CBN
Asphalt Crystal Cermets Ceramics Concrete Ferrites Glass PCD/PCBN Quartz Stone Silicon Super Hardened Alloys Titanium Alloys	Alloy Steels Carbon steels Copper Alloys Die Steels Hardening Steels High-Speed Steels Heat-Resistant Alloys Super Heat-Resistant Alloys Sintered Metals (ferrous and others) Stainless Steels Tool Steels Bearing Steel
Alloys Aluminum    Cast iron Flame-Sprayed Metals Magnetic Materials Tungsten	



TOP TECH

*Perfect Surface.  
Always*

**Cutting / Mounting / Grinding & Polishing / Spin Coater**

**TOP TECH MACHINES CO.,LTD**

No.6-3,Siayuan Rd.,Dali,Taichung,412 Taiwan

Tel:886-4-24061658

Fax:886-4-24073200

<http://www.toptech.tw>

<http://toptech.sniapp.com>

E-mail: [top@toptech.tw](mailto:top@toptech.tw)

Agent



<http://www.toptech.tw>