



TOP TECH

PLATO-E Series Manual Grinding & Polishing



P20G-1/P25G-1 Series

- Flexible and modularized control box maximizing the space utilization
- Superior industrial plastic body
- Telescopic water set, rinse and spin, and CW/ CCW control
- Multiple choices of platens application
- Employing diamond discs (Optional) ensuring the flatness
- Compatible with dispenser (Optional)

Patent

Introduction & feature



Superior industrial plastic body

Exquisite Appearance

Streamline appearance design and glossy film surface finishing makes the mechanical appearance artistic and exquisite.

Modular design

The combined control box can be fixed behind the machine or be placed next to the machine with quick-change design, which is easy to clean and can maximize the space.

Various anti-splash application

Various anti-splash covers can be applied, based on the method of polishing process.

Various choices of platen

Platen size of 8" and 10" are suitable for any consumables application.



Low speed grinding and polishing function

Rotational speed can be lowered to 10 rpm. With external dispenser (optional), it meets the requirement of long-time polishing process without deformation.

Platen speed and direction adjustable

Adjust the platen speed and rotational direction based on the sample materials.

Automatic drying function

The automatic drying function makes the cleaning process faster. Also, avoid the crossing contamination during the operating process.

Telescopic water set

Clean the machine conveniently



Accessories (Optional)



Item	Order no.
Dispenser-one bottle type	P20F0027
Dispenser-four bottle type	P20F0028

Item	Spec.	Order no.
Grinding Platen (Patent)	8"	CP0601
	10"	CP0602
Polishing Platen	8"	P20D00020101
	10"	P25A00010201
Magnetic Platen and Paper Hold (Patent)	8"	CP0501
	10"	CP0502

Item	Spec.	Order no.
Anti-Splash Cover (Manual)	8"	PA0108-1
	10"	PA0108
Anti-Splash Cover (Auto)	8"	PA0108-3
	10"	PA0108-4

Item	Spec.	Order no.
Magnetic Pad	8"	S080101
	10"	S080102

Item	Spec.	Order no.
Carrier Plate	8"	S090101
	10"	S090102

Working Table (Optional)



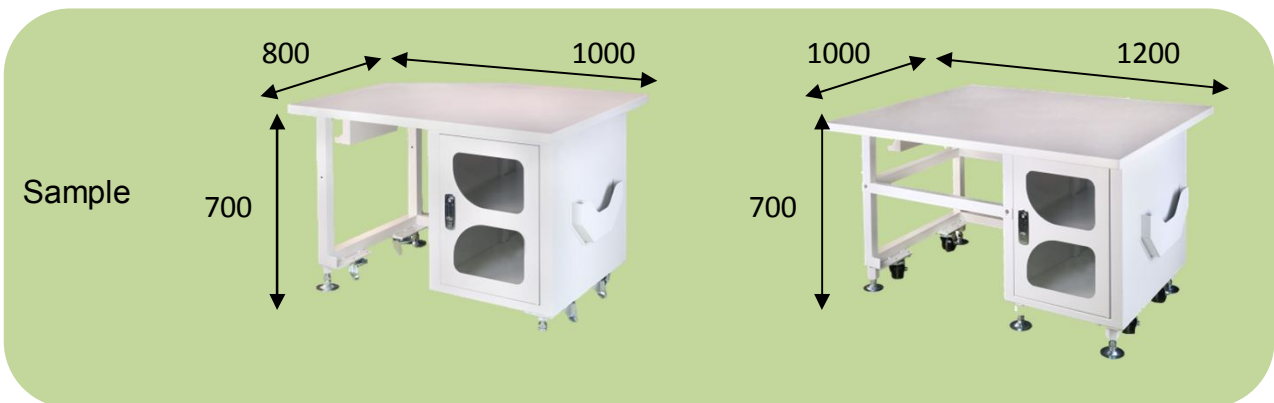
TF01

TF02

size(L*W*H)

1000*800*700 mm

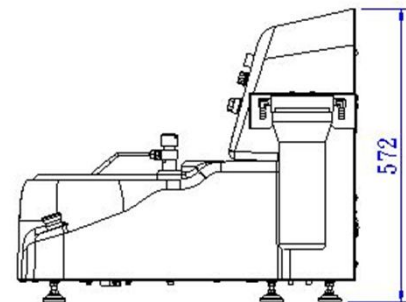
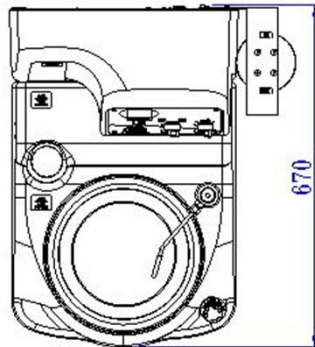
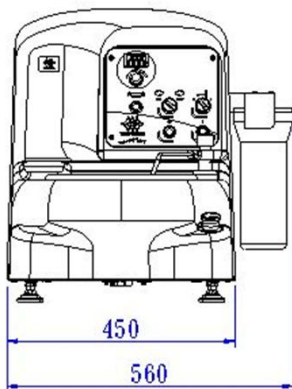
1200*1000*700 mm



(mm)

Specifications

Model	P20G-1	P25G-1
Platen Size (mm)	Ø203.2 (8")	Ø254 (10")
Platen Quantity	1	
Grinding Method	Manual	
Platen Motor Power (W)	400	
Platen Rotational Speed (rpm)	1~600 (Effective Rotational Speed 10~600)	
Timer (min: s)	99:59	
Water Inlet (mm)	Inner Dia.: 3/8" (Ø9.53mm), Outer Dia.: 19/32" (Ø15.08mm)	
Water Outlet (mm)	Inner Dia.: 1-19/64" (Ø32.94mm), Outer Dia.: 1-29/64" (Ø36.91mm)	
Machine Dimension WxDxH (mm)	560x670x572	
Machine Weight (kg) AC110V 1Ø	46	47
Machine Weight (kg) AC220V 1Ø	36	37
Standard Accessories	Grinding Platen 1pc, O-ring 1pc, Anti-Splash Cover 1 pc, Silicon Carbide Paper 8 pcs, Polishing Cloth 2pcs, Aluminum Oxide Powder 100g, Filter 1 set, 500g Dispenser 1 pc	
Option	P20F0027 Dispenser Set for One Bottle, P20F0028 Dispenser Set for Four Bottles, PA0108-1 8" Anti-Splash Cover (Manual), PA0108 10" Anti-Splash Cover (Manual), PA0108-3 8" Anti-Splash Cover (Auto), PA0108-4 10" Anti-Splash Cover (Auto)	



Consumables (Optional)

Diamond Disc



Order no. size Magnetic Pad Pack(pcs/box)

Order no.	size	Magnetic Pad	Pack(pcs/box)
Disc no.1	Equivalent to the grinder paper #120		
SAA09CA54020	8"(200mm)	●	1
SAA09CA54040	10"(250mm)	●	1

Disc no.2	Equivalent to the grinder paper #240		
SAA09CA55020	8"(200mm)	●	1
SAA09CA55040	10"(250mm)	●	1

Disc no.3	Equivalent to the grinder paper #600		
SAA09CA56020	8"(200mm)	●	1
SAA09CA56040	10"(250mm)	●	1

Disc no.4	Equivalent to the grinder paper #1200		
SAA09CA58020	8"(200mm)	●	1
SAA09CA58040	10"(250mm)	●	1

Disc no.5	Non-diamond particles, used with diamond suspension For the normal materials		
SAA09CA53020	8"(200mm)	●	2
SAA09CA53040	10"(250mm)	●	2

Disc no.6	Non-diamond particles, used with diamond suspension For the hard and very hard materials		
SAA09CA52020	8"(200mm)	●	2
SAA09CA52040	10"(250mm)	●	2

FEPA Grinding Paper (Plain Back)



Order No.	Size	Grit	Pack (pcs/box)
	200mm SiC Paper		
S0520002	8" (200mm)	P80	100
S0520003	8" (200mm)	P100	100
S0520004	8" (200mm)	P120	100
S0520005	8" (200mm)	P150	100
S0520006	8" (200mm)	P180	100
S0520007	8" (200mm)	P240	100
S0520008	8" (200mm)	P320	100
S0520009	8" (200mm)	P400	100
S0520010	8" (200mm)	P600	100
S0520011	8" (200mm)	P800	100
S0520012	8" (200mm)	P1000	100
S0520013	8" (200mm)	P1200	100
S0520014	8" (200mm)	P1500	100
S0520015	8" (200mm)	P2000	100



Order No.	Size	Grit	Pack (pcs/box)
	250mm SiC Paper		
S0525002	10" (250mm)	P80	100
S0525003	10" (250mm)	P100	100
S0525006	10" (250mm)	P180	100
S0525007	10" (250mm)	P240	100
S0525008	10" (250mm)	P320	100
S0525009	10" (250mm)	P400	100
S0525010	10" (250mm)	P600	100
S0525011	10" (250mm)	P800	100
S0525012	10" (250mm)	P1000	100
S0525013	10" (250mm)	P1200	100
S0525014	10" (250mm)	P1500	100
S0525015	10" (250mm)	P2000	100

ANSI Grinding Paper (Plain Back)



Order No.	Size	Grit	Pack (pcs/box)
	200mm SiC Paper		
S0520080060AU	8"(200mm)	#60	100
S0520080120AU	8"(200mm)	#120	100
S0520080180AU	8"(200mm)	#180	100
S0520080240AU	8"(200mm)	#240	100
S0520080320AU	8"(200mm)	#320	100
S0520080400AU	8"(200mm)	#400	100
S0520080600AU	8"(200mm)	#600	100
S0520080800AU	8"(200mm)	#800	100
S0520081000AU	8"(200mm)	#1000	100
S0520081200AU	8"(200mm)	#1200	100



Order No.	Size	Grit	Pack (pcs/box)
	250mm SiC Paper		
S0525100060AU	10"(250mm)	#60	100
S0525100120AU	10"(250mm)	#120	100
S0525100180AU	10"(250mm)	#180	100
S0525100240AU	10"(250mm)	#240	100
S0525100320AU	10"(250mm)	#320	100
S0525100400AU	10"(250mm)	#400	100
S0525100600AU	10"(250mm)	#600	100
S0525100800AU	10"(250mm)	#800	100
S0525101000AU	10"(250mm)	#1000	100
S0525101200AU	10"(250mm)	#1200	100

FEPA Grinding Paper (PSA Back)



Order No.	Size	Grit	Pack(pcs/box)
	200mm SiC Paper		
S05A20006	8"(200mm)	P180	100
S05A20007	8"(200mm)	P240	100
S05A20008	8"(200mm)	P320	100
S05A20009	8"(200mm)	P400	100
S05A20010	8"(200mm)	P600	100
S05A20011	8"(200mm)	P800	100
S05A20012	8"(200mm)	P1000	100
S05A20013	8"(200mm)	P1200	100
S05A20014	8"(200mm)	P1500	100
S05A20015	8"(200mm)	P2000	100

Order no.	Size	Grit	Pack(pcs/box)
	250mm SiC Paper		
S05A25006	10"(250mm)	P180	100
S05A25007	10"(250mm)	P240	100
S05A25008	10"(250mm)	P320	100
S05A25009	10"(250mm)	P400	100
S05A25010	10"(250mm)	P600	100
S05A25011	10"(250mm)	P800	100
S05A25012	10"(250mm)	P1000	100
S05A25013	10"(250mm)	P1200	100
S05A25014	10"(250mm)	P1500	100
S05A25015	10"(250mm)	P2000	100

Oxide Powder



Order no.	Aluminum oxide powder	
S0701010102	0.05um	1 lb
S07010201	0.3um	1 lb
S07010211	0.3um	2 lb
S07010301	1um	1 lb
S07010311	1um	2 lb
S07010401	3um	1 lb
S07011201	5um	1 lb

Order no.	Magnesium oxide powder	
S0705030102	1um	1 lb

Order no.	Zirconium oxide powder	
S07061009	0.5um	1 lb
S07061109	1.5um	1 lb

Polishing Cloth

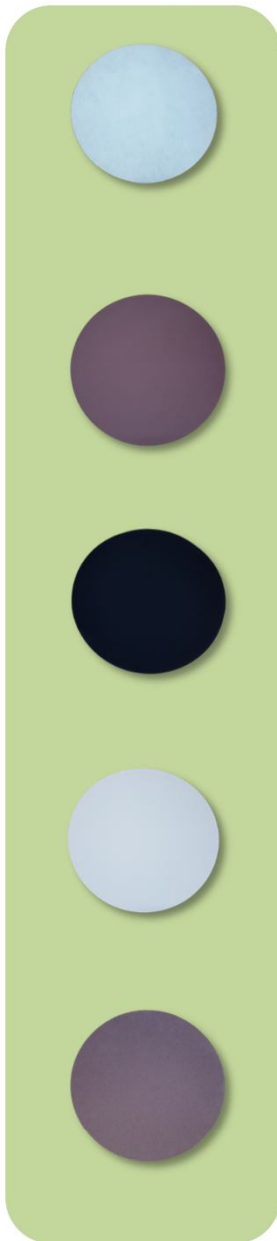


Order no.	Nylon For plane and medium polishing of all materials, such as copper, steel, and alloy		Pack(pcs/box)
S060101	8"	(200mm)	10
S060102	10"	(250mm)	10

Order no.	PolyPad For plane and medium polishing of all materials of metals, such as stainless steel and hard steel		Pack(pcs/box)
S060201	8"	(200mm)	10
S060202	10"	(250mm)	10

Order no.	Pellon For medium polishing of steel, composite material and rock		Pack(pcs/box)
S060301	8"	(200mm)	10
S060302	10"	(250mm)	10

Polishing Cloth



Order no.	Non-Woven For medium polishing of soft metals, such as copper and aluminum		Pack(pcs/box)
S060401	8"	(200mm)	10
S060402	10"	(250mm)	10

Order no.	MicroPad For medium polishing of all materials, such as aluminum and soft steel		Pack(pcs/box)
S060501	8"	(200mm)	10
S060502	10"	(250mm)	10

Order no.	PolyPadL For fine polishing of metals, such as stainless steel and hard steel		Pack(pcs/box)
S060701	8"	(200mm)	10
S060702	10"	(250mm)	10

Order no.	PolyPadH For fine polishing of metals, such as alloy and stainless steel		Pack(pcs/box)
S060801	8"	(200mm)	10
S060802	10"	(250mm)	10

Order no.	FinalPad For fine polishing of all materials		Pack(pcs/box)
S060901	8"	(200mm)	10
S060902	10"	(250mm)	10

Diamond Suspension



Order no.	Monocrystalline diamond suspension		
S0703080902	0.1um	300ml	Gray
S0703030902	1um	300ml	Blue
S0703040902	3um	300ml	Green
S0703050902	6um	300ml	Yellow
S0703060902	9um	300ml	Red

Order no.	Polycrystalline diamond suspension		
S0708080402	0.1um	470ml	Black
S0708030902	1um	300ml	Milky
S0708030402	1um	470ml	Black
S0708040402	3um	470ml	Black
S0708050402	6um	470ml	Black
S0708060402	9um	470ml	Black
S0708070402	15um	470ml	black

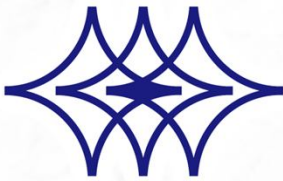
Oxide and Final Suspension



Order no.	Aluminum oxide suspension	
S0707010902	0.05um	300 ml
S0707020902	0.3um	300 ml

Order no.	Final polishing suspension	
S0704C10902	0.04um	300 ml

Top Tech distributors



TOP TECH



TOP TECH MACHINES CO.,LTD

No.6-3,Siayuan Rd.,Dali,Taichung,412 Taiwan

TEL: +886-4-2406-3799 FAX:+886-4-2406-0960

E-mail:top@toptech.tw <http://www.toptech.tw>

Agent

We reserve the right to change design without notice.

NO. EB1-BM02