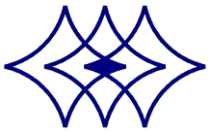


Air Pressure Type Automatic Grinder/Polisher

FS-R/FS-FRS Micrometer





Instruction

Operation video: FS-R





TOP TECH

Features

P20F0027
Dispenser
one bottle type



R-FS-R3
R-FS-R5



R-FS-M-R3
R-FS-M-R5
(micrometer)



Micrometer
Set remove rate
[Appendix 1](#)

P20F0028
Dispenser
four bottle type



Option

Spec.	Order No.
Ø254	D322.001
Ø304.8	D323.001



Patent grinding plate

or



Polishing platen

Spec.	Order No.
Ø254	P25A00010201
Ø304.8	P30E010503

Spec.	Order No.
Ø254	CP0502
Ø304.8	CP0503



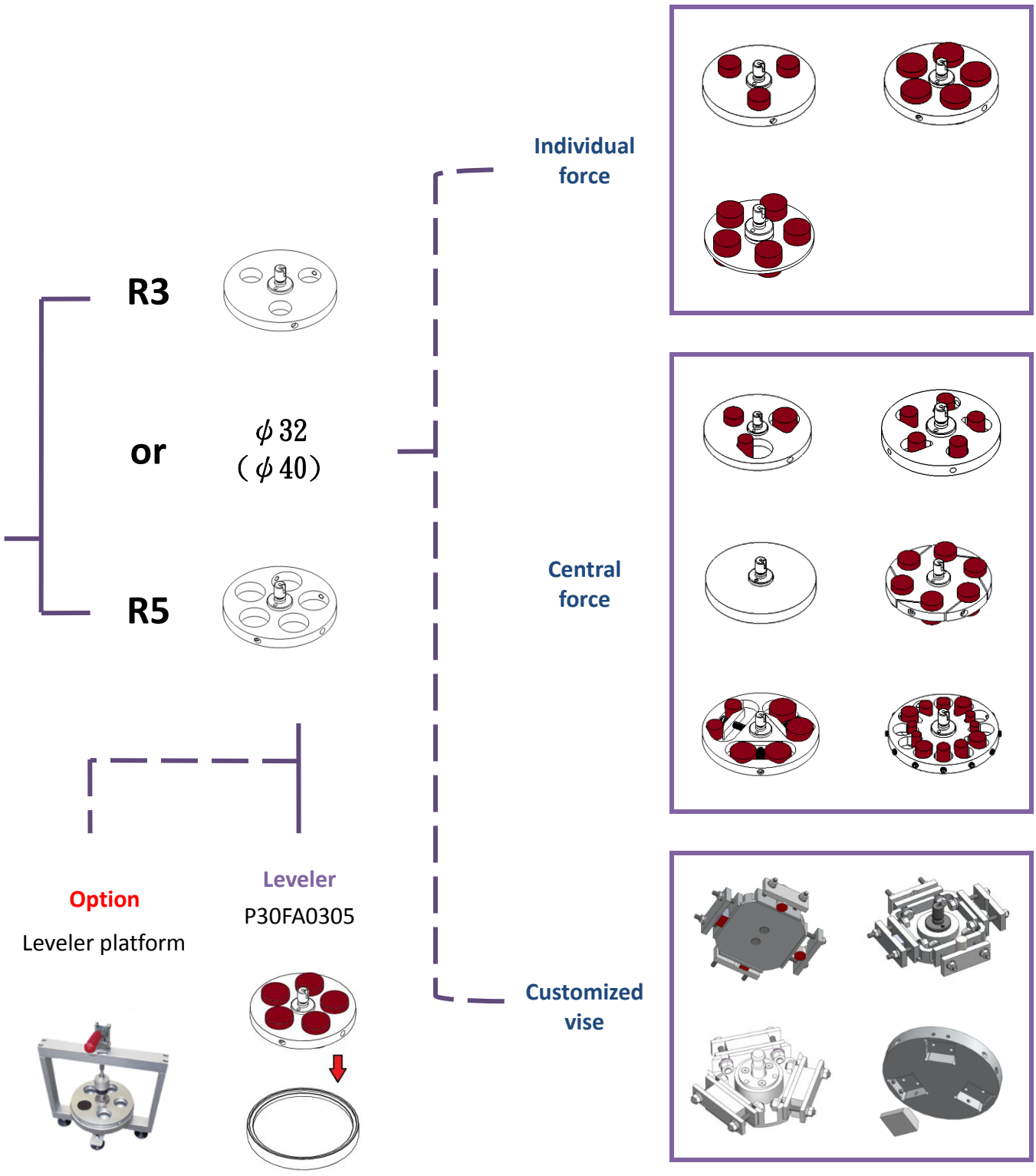
Patent magnetic

Option



Touch panel

Rotational speed, grinding time and operation modes can be set.
100 memory modes





TOP TECH

Worthy Options - Working Table



Working Table

Multifunctional working table, it supplies you a place to put your machine and store your accessories. It can be moved easily.

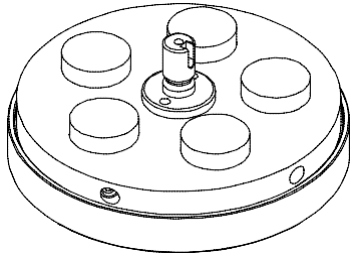
Model No.	TF01	TF02
Size	1000*800*700 mm	1200*1000*700 mm
Sample		



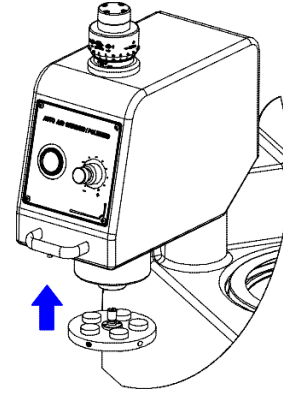
TOP TECH

Appendix 1 、 Calibrate Function (FS-R-M)

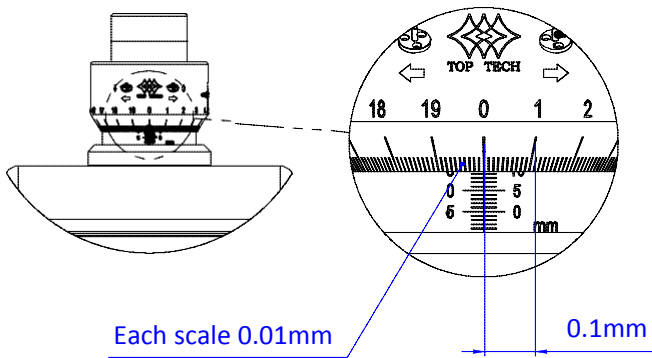
1. Put the sample holder into the leveler



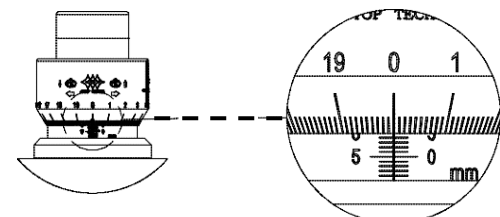
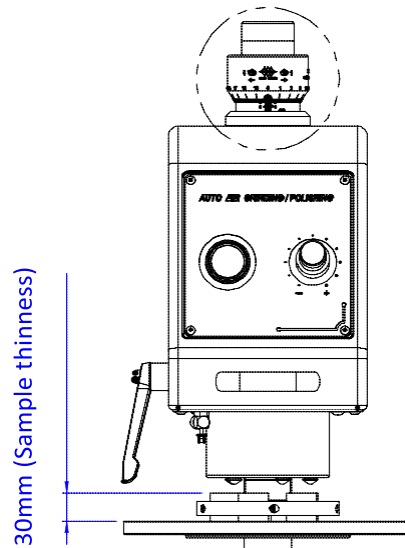
2. Install sample holder back to head.



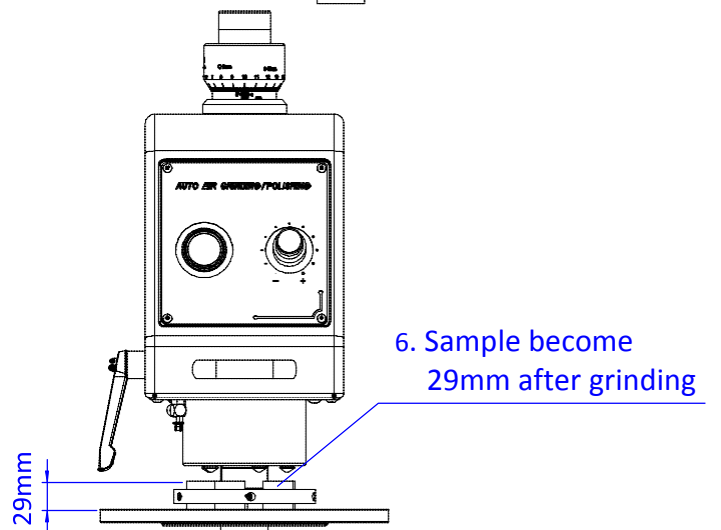
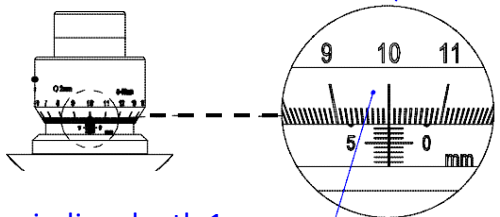
3. Reset to zero



4. Rotate clockwise to set removal rate



5. Set grinding depth 1 mm



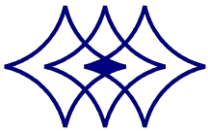


TOP TECH

Specifications

Model No.	FS-R			FS-R (micrometer)		
	Platen dia. (mm)	Platen dia. (mm)	Platen dia. (mm)	Platen dia. (mm)	Platen dia. (mm)	Platen dia. (mm)
Platen dia. (mm)	Ø254mm (10")	Ø304.8mm (12")		Ø254mm (10")	Ø304.8mm (12")	
Platen qty.	1			1		
Sample qty.	R3 : 3pc or R5 : 5pc			R3(micrometer) or R5(micrometer)		
Sample size	Ø25 / Ø32 / Ø40mm			Ø25 / Ø32 / Ø40mm		
Noise Level (idling)	63~67dB			63~67dB		
Operation method	Automatic			Automatic		
Motor power of platen	850W			850W		
Individual force	1~8kg			1~8kg		
Central force	6~25kg			6~25kg		
Platen rotational speed	50~600rpm (Special speed can be customized)			50~600rpm (Special speed can be customized)		
Motor power of head	90W			90W		
Head rotational speed	80rpm (Special speed can be customized)			80rpm (Special speed can be customized)		
Coolant system	1 set			1 set		
Timer	Max.60000 seconds (1000 minutes)			Max.60000 seconds (1000 minutes)		
Machine type	Table-top			Table-top		
Machine weight	102Kg	110Kg	120Kg	104Kg	112Kg	122Kg
Dimension (WxDxH)	50x80x75cm			50x80x86cm		
Water inlet pipe	10mm pipes (Inner dia.Ø10mm – Outer dia.Ø15mm)					
Water outlet pipe	32mm pipes (Inner dia.Ø32mm – Outer dia.Ø36mm)					
Power supply	AC220V-1Ø					
Standard accessories	Grinding platen 1pc		O-ring 1pc		Anti-splash cover 1pc	
	Leveler 1pc		Silicon carbide paper 8 pcs		Abrasive polish clothe 2pcs	
	Aluminum oxide powder 100g		PU pipes 6 meters		Dispenser 1 pc	

We reserve the right of changing design without notice



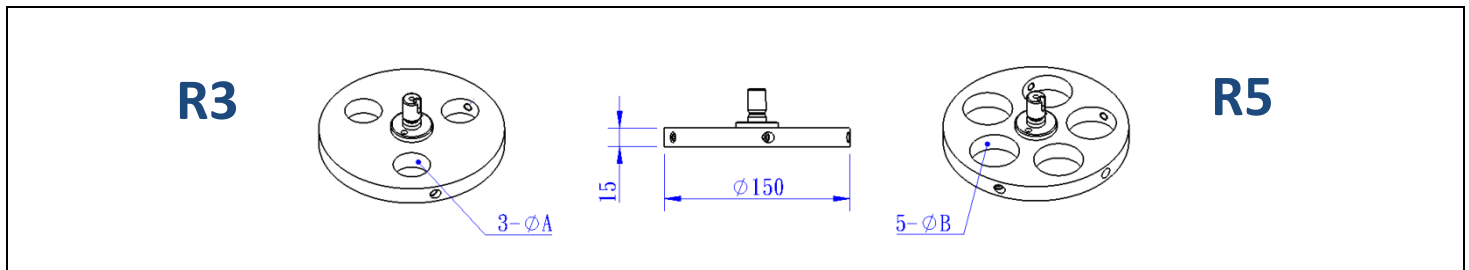
Appendix 2 、 Option

R Series (Individual force 、 Central force)- Standard

Platen size	Head (H)	Sample (Standard-S) mm			Leveler
Ø250mm	R3	Ø25(25.4)	Ø32(31.75)	Ø40	P30FA0305
Ø304.8mm	R5	Ø25(25.4)	Ø32(31.75)	Ø40	
Model type	R-FS-R <u> H </u> - <u> S </u>				
	R-FS-M-R <u> H </u> - <u> S </u> (micrometer)				

Remark: Standard size sample holder is possible to replace with each other's

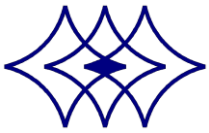
R Series (Individual force 、 Central force)- Option



R3 type		Leveler	R5 type	
A(mm)	Order no.		Order no.	B(mm)
25	-	P30FA0305	P25FA04020820A	25
30	P25FA04020804A	P30FA0305	P25FA04020804A-2	30
31.75	P25FA04020805A-1	P30FA0305	P25FA04020803A-1	31.75
32	P25FA04020805A	P30FA0305	P25FA04020803A	32
38	P25FA04020813A	P30FA0305		38
38.1		P30FA0305	P25FA04020806A	38.1
40	P25FA04020805A-2	P30FA0305	P25FA04020802A	40
45	P25FA04020811A	P30FA0305	P25FA04020809A	45
50	-	P30FA0305	P25FA04020815A	50
50.8		P25FA0305	P25FA04020814A	50.8
-	-	-	-	60

Remark:

- Appendix 2 : Sample holder can apply to individual force or central force.
- Leveler must use with leveler together (Standard).



TOP TECH

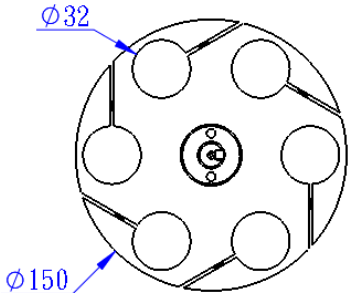
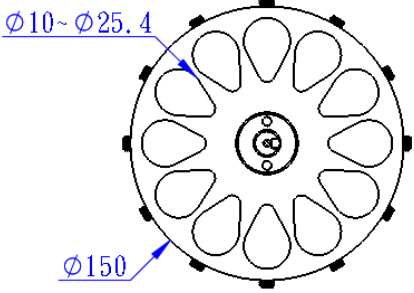
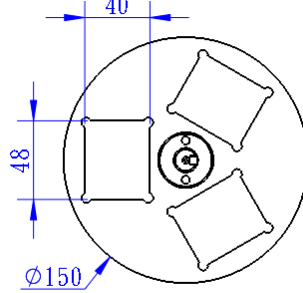
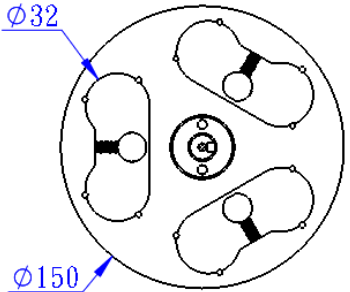
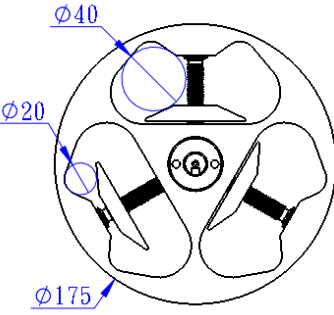
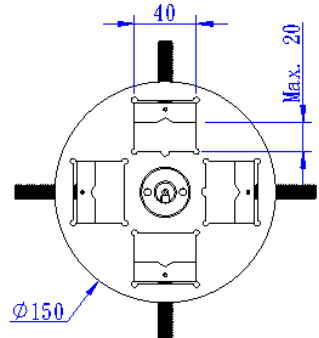
Appendix 3 、 Option

R Series (Central force)- Standard

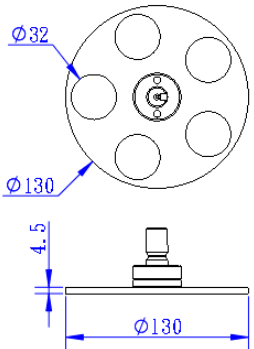
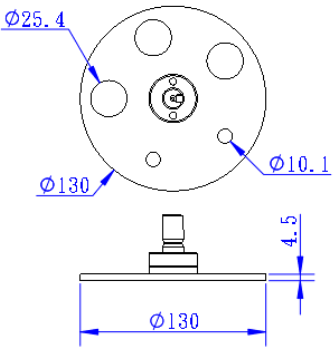
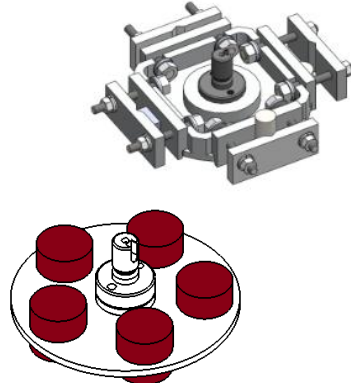
P25FA04020807A	P25FA04020821A	P25FA04020822A
P25FA04020812A	P25FA04020816A	P25FA04020808A
P25FA04020818A	P25FA04020810A	

Appendix 4 、 Option

R Series (Central force) - Customized

P20Z16A	P20Z16C	P20Z16D
		
P20Z16E	P20Z16F	P25FA04020817A
		

R Series (Individual force) - Customized

P20Z16B	P20Z16B1	
		



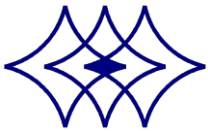
Consumables

	Model	Spec.	Materials
Grinding	Platinum diamond discs	No.1 、 No.2 No.3 、 No.4	The discs are suitable to grind a wide range of ferrous metal as well as copper and other metals.
	Silicon carbide papers (PSA)	#60~#2000	Made in Taiwan (Good values for money) Made in USA (Perfect quality)
	Silicon carbide papers (Plain backed)	#180~#2000	Made in Taiwan (Good values for money) Made in USA (Perfect quality)
Polishing (Diamond)	Poly-crystalline suspension	1 μ m 、 3 μ m 、 6 μ m 、 9 μ m 、 15 μ m	Diamond is the best way for the grinding to obtain a perfect surface in the short time.
	Bio Diamante Poly-crystalline suspension	1 μ m 、 3 μ m 6 μ m 、 9 μ m	Bio Diamante series, which is with higher viscosity and useless consumption during grinding. The liquid to stay a long time on the surface of sample, it is suitable for low usage.
	Mono-crystalline suspension	0.5 μ m 、 1 μ m 、 3 μ m 6 μ m 、 9 μ m 、 15 μ m	Diamond is the best way for the grinding to obtain a perfect surface in the short time.
	Bio Diamante Poly-crystalline suspension	1 μ m 、 3 μ m 6 μ m 、 9 μ m	Bio Diamante series, which is with higher viscosity and useless consumption during grinding. The liquid to stay a long time on the surface of sample, it is suitable for low usage.
	Diamond paste	1 μ m 、 3 μ m 6 μ m 、 9 μ m	Use before diamond suspension It content higher percentage of diamond and offer better abrasive ability than suspension
Polishing (Oxide)	Aluminum oxide powder	0.05 μ m 、 0.3 μ m 1 μ m 、 3 μ m 、 5 μ m	The soft, toughness specimens like aluminum, copper or PCB board are requested to do the final polishing by oxide particles to get perfect results.
	Final polishing suspension	0.05 μ m 、 colloidal solution	Aluminum oxide is suitable for the application of low alloy steel, high alloy steel and plastic material.
Polishing	Polishing cloth	Rough polishing 、 fine polishing	The initial polishing is usually conducted with short hair polishing cloth, and the long-hair polishing cloth is used at the step of final polishing.

Remark: Welcome to get the more detail information of consumables in the follow link

<http://toptech.synology.me/Consumables/PolisherEN.pdf>





TOP TECH

*Perfect Surface.
Always*

Cutting / Mounting / Grinding & Polishing / Spin Coater

TOP TECH MACHINES CO.,LTD

No.6-3,Siayuan Rd.,Dali,Taichung,412 Taiwan

Tel:886-4-24061658

Fax:886-4-24073200

<http://www.toptech.tw>

<http://toptech.sniapp.com>

E-mail: top@toptech.tw

Agent



We reserve the right of changing design without notice

NO.A16-01

<http://www.toptech.tw>