

Low Speed Saw

CL40

Precision
cutting
low noise and
low vibration

Various vises
for different
requirement



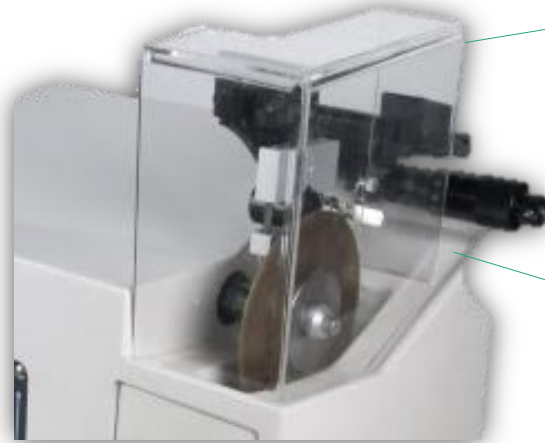


TOP TECH

Instruction



Operation video



Cover

Easy for observation

Micrometer

Easy to control cutting length

Vise

Various vises to meet the request

Cutting

Gravity feed system

Cut off blade

To choose the blade per sample material

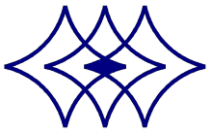
Control panel

Friendly interface
Intuitive buttons

Coolant tray

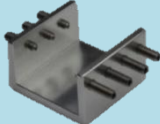
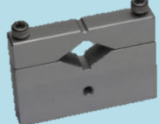
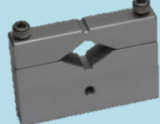

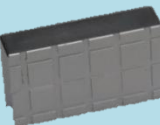


Removable coolant reservoir, easy to pick up the sample after cutting





TOP TECH

Features

<p>CL400051A irregular vise kit</p> 	<p>CL400052-L (option) Long type kit (φ20)</p> 	<p>CL400044A (standard) Long type kit</p> 
<p>CL400053 Round/elliptic vise kit</p> 	<p style="text-align: center;">Options Standard</p>	
<p>CL400054 Fragile vise</p> 		
<p>CL400055-D Double vise kit</p> 	<p style="text-align: center;">Control panel Easy to operate Adjust the cutting speed depending on sample material</p>	
<p>CL50051001A Round test kit (max.Ø32)</p> 		

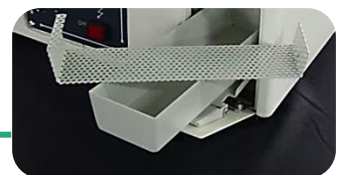
Micrometer

Minimum display precision 0.01mm
Clamp horizontal movement distance: 25mm

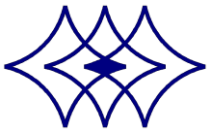


Coolant tray

Easy to change coolant and easy to pick up sample after cutting



Please refer to Appendix 1 and Appendix 2 for the cutting capacity



TOP TECH

Worthy Options - Working Table

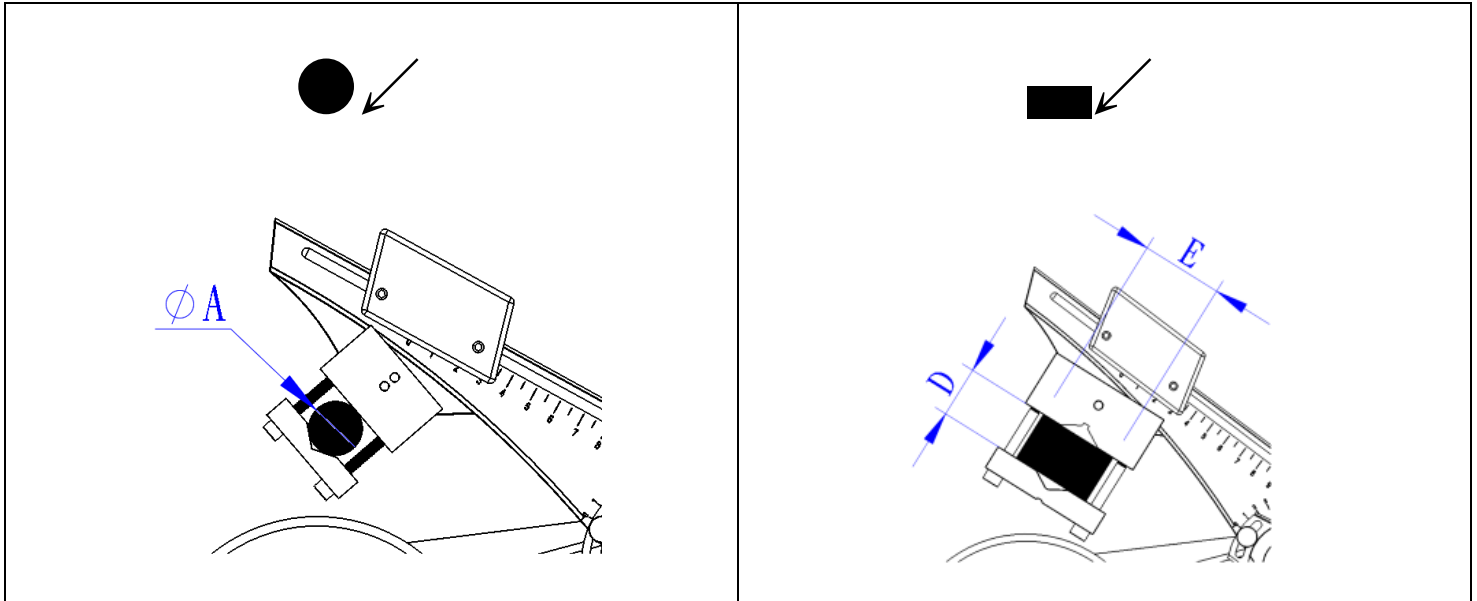


Working Table

Multifunctional working table, it supplies you a place to put your machine and store your accessories. It can be moved easily.

Model No.	TF01	TF02
Size	1000*800*700 mm	1200*1000*700 mm
Sample		

Appendix 1: Cutting capacity for vise (standard)

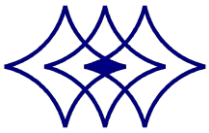


Cut-off blade	●		■	
	A(mm)	A cutting area(mm ²)	E(mm)	E x D(mm ²)
3"	15	170	15	15x5
4"	28	610	40	40x12
5"	40	1250	40	40x25

The measure of square area :

Max width is E , $E \times D \leq A$ cutting area

Material restrictions are non-ferrous metals, non-metallic, ceramic, glass, titanium, precision cutting, polymer materials

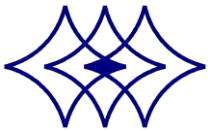


TOP TECH

Appendix 2: Cutting capacity for various vises (options)

CL400051A irregular vise kit		CL400052-L Long type kit (φ20)		CL400053 Round/elliptic vise kit	
A (mm)	E x D (mm)	A (mm)	E x D (mm)	A (mm)	E x D (mm)
-	38x25	Max. 20	40x30	Max. 14	38x10

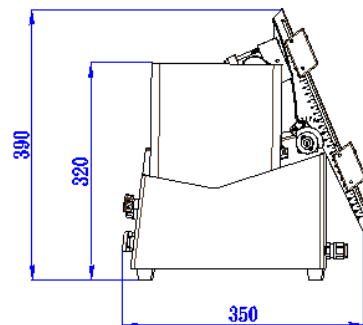
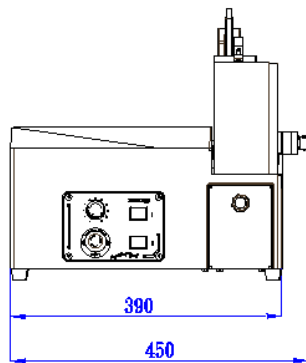
CL400054 Fragile vise		CL400055-D Double vise kit		CL50051001A Round test kit	
A (mm)	E x D (mm)	A (mm)	E x D (mm)	A (mm)	E x D (mm)
Max. 28	50x28	Max. 20	40x30	Max. 32	-



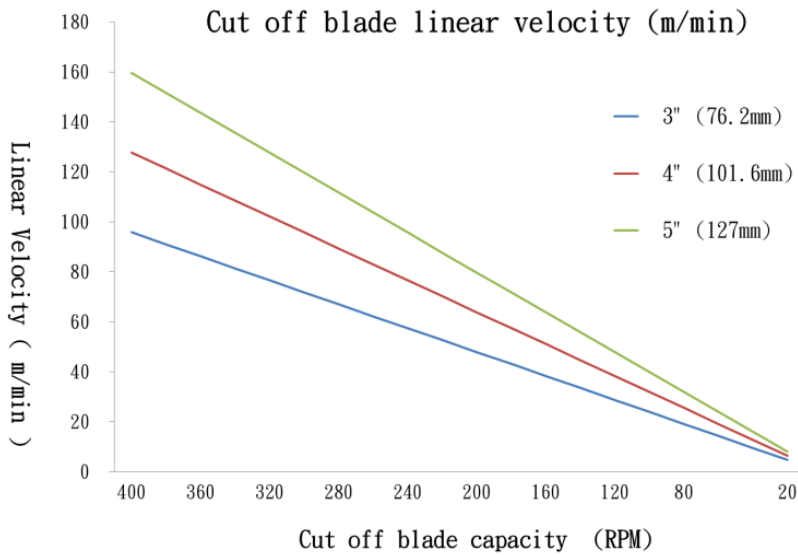
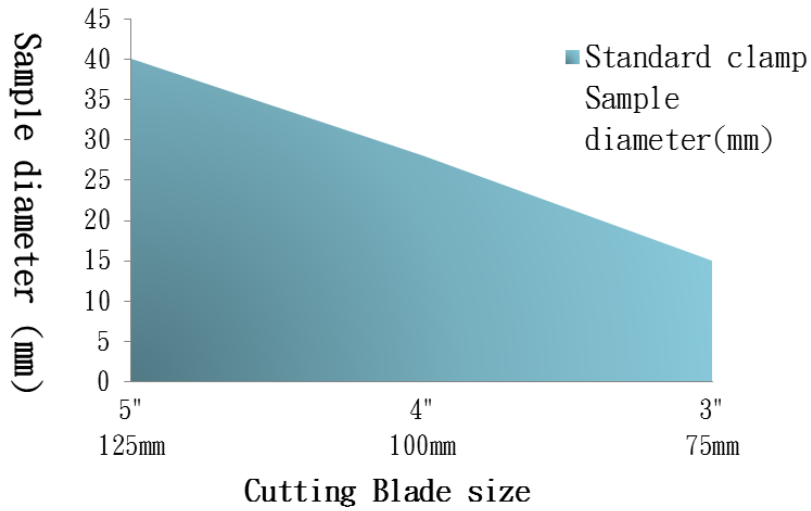
TOP TECH

Specification

Model	CL40
Motor power	40W
Sample Dim. Max.(mm)	Ø40mm
Diamond blade	Ø3"~ Ø5"
Noise level	55~62dB
Cutting chamber	Appendix 3
Loading pressure	0~400g
Cutting Method	Gravity-fed system, the blade stop rotating once cutting finished
Rotational speed	0~400 RPM
Vise (standard)	Long type kit
Horizontal movement	0.01 mm ~ 25 mm
Coolant tank capacity	400 mL
Machine size (W x L x H)	44 x 42 x 35cm
Machine weight Kg	19 Kg
Power	AC110V/200V-1Ø
Standard accessory	coolant 1 L、standard clamp*1
Options	Various vise, dressing system

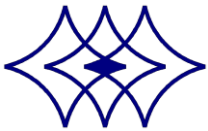


Cutting Capacity-1 CL40



Cutting area-1 : Use standard clamp

1. Parameter for reference only.
2. Practically parameter depends on wheel, sample material, cutting speed, vise, etc.



Consumables

Diamond Wheel

Item No.	Cutting material	Wheel size(external dia. X arbor dia. X thickness)	MOQ	Remark
HW21130502L	Hard, brittle, mineral material, non-ferrous metals ,hard alloy, ceramic, glass, titanium alloy, quartz, silicon	Ø101XØ12.7X0.5	1	resin-bonded
HW21120502L	Non-ferrous metals , non-mental, ceramic, glass, titanium alloy, aluminum alloy, tungsten steel	Ø100XØ12.7X0.5	1	metal-bonded
HW21220502L	Carbon steel, alloy steel, tool steel, stainless steel, bearing steel	Ø100XØ12.7X0.5	1	CBN metal-bonded (boron nitride)
HW21130602L	Hard, brittle, mineral material, non-ferrous metals ,hard alloy, ceramic, glass, titanium alloy, quartz, silicon	Ø127XØ12.7X0.6	1	resin-bonded
HW21120602L	Non-ferrous metals , non-mental, ceramic, glass, titanium alloy, aluminum alloy, tungsten steel	Ø125XØ12.7X0.5	1	metal-bonded
HW21220602L	Carbon steel, alloy steel, tool steel, stainless steel, bearing steel	Ø127XØ12.7X0.5	1	CBN metal-bonded (boron nitride)

Coolant

Item No.	Description	Features	MOQ	Remark
S01004	Coolant	Clear , flowability	1L	

Remark: Please access following link for details of consumables

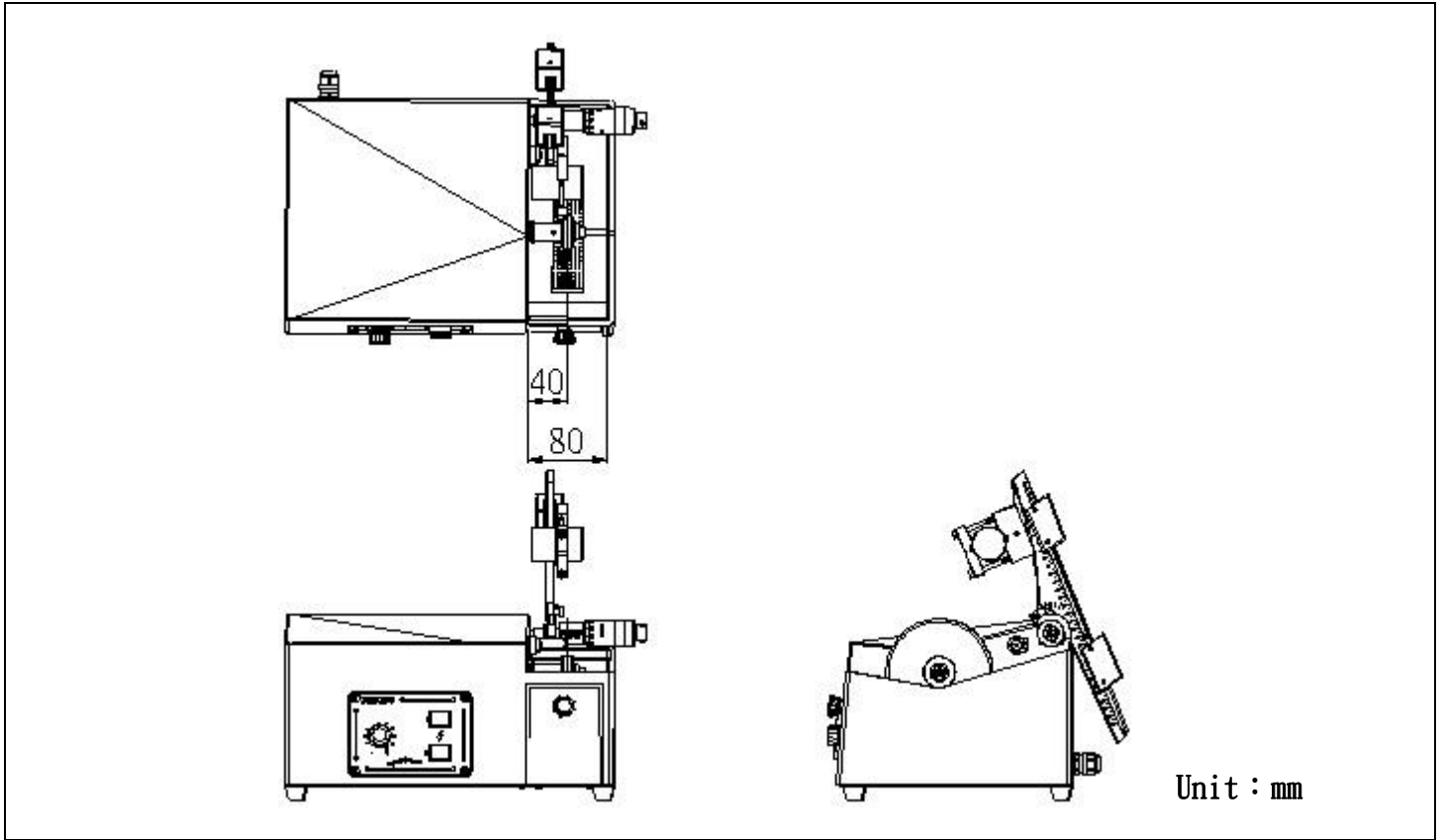
<http://toptech.synology.me/Consumables/CuttingEN.pdf>





TOP TECH

Appendix 3 : Cutting chamber

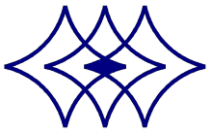


TOP TECH
Perfect Surface Always

Metallographic Sample Preparation Equipment
Equipment of Materials Analysis
Metallographic Surface Preparation

TOP TECH
Certificate: TW0703360

SGS LUKAS
CE



TOP TECH

*Perfect Surface.
Always*

Cutting / Mounting / Grinding & Polishing / Spin Coater

TOP TECH MACHINES CO.,LTD

No.6-3,Siayuan Rd.,Dali,Taichung,412 Taiwan

Tel:886-4-24061658

Fax:886-4-24073200

<http://www.toptech.tw>

<http://toptech.sniapp.com>

E-mail: top@toptech.tw

Agent



All right reserved by Top Tech

NO.A16-01

<http://www.toptech.tw>