

Full Automatic Mounting Press

L1/L1-E3/L2/L2-E3





TOP TECH

Instruction

Model type: L1



Operation video

Top cover
Quick release



Thermostat
Multi over-temperature protection to ensure safety

Color touch panel
High-definition

Full-automatic
One button start
Automatic pressure adding, heating and cooling

Filter system
Filter out solids of water

Water inlet/outlet
Convenient to use

Specialized socket
(For water pump only)
Built-in water recycling system





TOP TECH

Features

Molds

Ø25

Ø32

Ø40

Ø50



Cylinder kit
(Appendix 2)

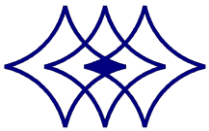


option

Coolant pump



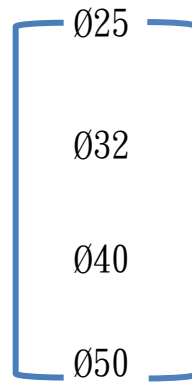
Order no.	Spec.
QWP06001	1Ø-110V-50/60HZ
QWP06002	1Ø-220V-50/60HZ
QWP06002-1	1Ø-200V-50/60HZ



TOP TECH

Features

Molds



option



Acrylic Mode
(Appendix 3)



Features:

- Clear sample
- Good covering

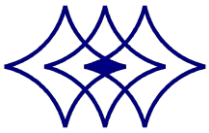




Features



1. User-friendly operation interface which can set pressure, heating temperature, heating time and cooling time.
2. One button start, automatic pressure adding, heating and cooling.
3. Display the pressure value of cylinder during operation.
4. 100 memory modes which can set and save the parameters.



TOP TECH

Worthy Options - Working Table



Working Table

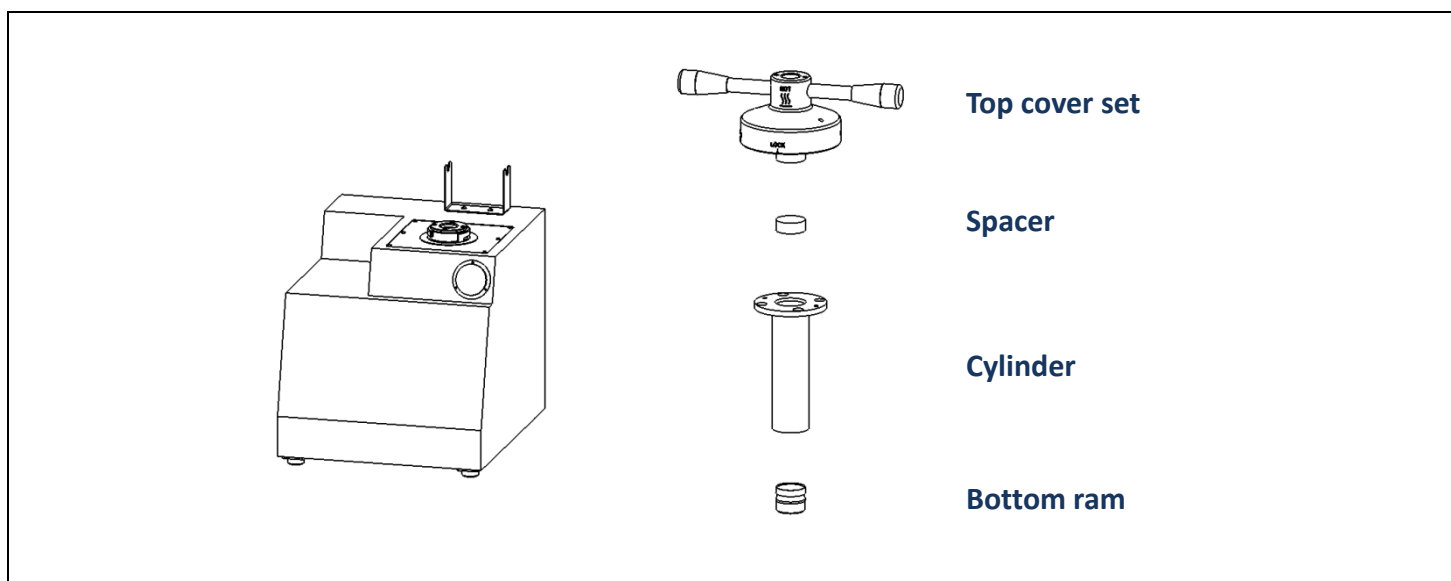
Multifunctional working table, it supplies you a place to put your machine and store your accessories. It can be moved easily.

Model No.	TF01	TF02
Size	1000*800*700 mm	1200*1000*700 mm
Sample		



TOP TECH

Appendix 1 、 Cylinder kit option



Ø40

Cylinder kit (Single mold)	Size	Ø25	Ø30	Ø32	Ø40
	Order no.	ML40AD0215A	ML40AD0214A	ML40AD0213A	-
Cylinder kit (Three molds)	Size	Ø25	Ø30	Ø32	Ø40
	Order no.	ML40AE0215A	ML40AE0214A	ML40AE0213A	-

Ø50

Cylinder kit (Single mold)	Size	Ø25	Ø30	Ø32	Ø40
	Order no.	ML50AD0216A	ML50AD0215A	ML50AD0214A	ML50AD0213A
Cylinder kit (Three molds)	Size	Ø25	Ø30	Ø32	Ø40
	Order no.	ML50AE0216A	ML50AE0215A	ML50AE0214A	ML50AE0213A

Note 1: Cylinder kit including follow parts.

Single mold: Top cover set 、 Spacer x 1 、 cylinder 、 Bottom ram

Three molds: Top cover set 、 Spacer x 2 、 cylinder 、 Bottom ram

Note 2: Special specification can be ordered.

Note 3: Cylinder size below Ø32mm not able to option inside mold.





TOP TECH

Appendix 2 、 Option accessories

Spacer

	Specification	Order on.	
		Copper spacer	Iron spacer
Metric (mm)	Ø25	ML25AE0210-1	ML25AE0210-2
	Ø32	M32C0006-1	M32C0006-3
	Ø38	-	-
	Ø40	M40C0006-1	M40C0006-2
	Ø50	ML50DG0210-1	ML50DG0210-2
Inch (in)	1"	-	M25AE0211
	1 $\frac{1}{4}$ "	M32C0011	M32C0011-1
	1 $\frac{1}{2}$ "	ML38AE0206	ML38AE0206-1
	2"	-	-
Remark	Special sizes can be customized		

Water pump

Order on.	Specification	Remark
QWP06001	1Ø-110V-50/60HZ	
QWP06002	1Ø-220V-50/60HZ	
QWP06002-1	1Ø-200V-50/60HZ	





Appendix 3 、 Option acrylic mode

Reference Data

No.	Size(mm)	Weight(g)	Reference Height(mm)	Forming Number
Single Mode	$\varnothing 25$	9	16	1
	$\varnothing 32$	15		
	$\varnothing 40$	23		
	$\varnothing 50$	35		
Tri-Mode	$\varnothing 25$	9 x 3	16	3
	$\varnothing 32$	15 x 3		
	$\varnothing 40$	23 x 3		
	$\varnothing 50$	35 x 3		
Double Pillars- Single Mode	$\varnothing 25$	2 - 9	16	2
	$\varnothing 32$	2 - 15		
	$\varnothing 40$	2 - 23		
	$\varnothing 50$	2 - 35		
Double Pillars- Tri-Mode	$\varnothing 25$	2 - 9 x 3	16	6
	$\varnothing 32$	2 - 15 x 3		
	$\varnothing 40$	2 - 23 x 3		
	$\varnothing 50$	2 - 35 x 3		

Note 1: Single mode and Tri-Mode is applied to L1 and L1-E3, double pillars-single mode and double pillars-tri-mode is applied to L2 and L2-E3.

Note 2: The total time for heating is according to the outer diameter sizes, it about 18 to 25 minutes. (Reference)

Note 3: If mounting height is over 32mm, it will appear bubbles. It's possible refer to reference height as standard.





TOP TECH

Specification

Model	L1				L1-E3			
Sample dia.	Ø25mm	Ø32mm	Ø40mm	Ø50mm	Ø25mm	Ø32mm	Ø40mm	Ø50mm
Driven method	High efficiency motor driven & Hydraulic control							
Sample qty.	1pc/per time- Note1				1~3 pc/per time			
Temperature	0~250°C (1°C/unit)-note 2							
Noise level (idle running)	68~75dB		70~77dB		69~76dB		72~78dB	
Heating power	1200W		1600W		2400W		3200W	
Motor power	2000W		2400W		3200W		4000W	
Pressure range	0~180kg/cm ² (1 kg/cm ² /unit)-note 3							
Heating time	Max.60 minutes							
Cooling time	Max.30 minutes							
Memory mode	100 sets (Can set heating temperature、heating time and cooling time)							
Machine size (WxDxH)	55x68x59cm				55x68x70cm			
Weight	82Kg		83Kg		84Kg		87Kg	
Water inlet/outlet pipes	10mm pipes (inner dia.Ø10mm – Outer dia.Ø15mm)							
Cooling System	Electronic water valve connect outside cooling recycle system							
Power supply	AC220V-1 Ø (Special voltage can be ordered)							
Stand accessories	Tweezer : 1pc		Funnel : 1pc		Filter : 1set			
	Spoon : 1pc		Mounting resin : 1kg(2.2lb)		Water pump : 1set			
	Pipe clip : 4pcs		Copper fitting : 1pc		Spacer(E3) : 2pcs			
	Acrylic powder:2kgs(4.4lb)							
Option	Cylinder kit							

Note 1: Two molds can be produced at same times if option spacer.

Note 2: Special temperature requirement can be customized.

Note 3: The pressure in the table represents the power of the hydraulic system.

Note 4: Special shape and size requirements can be customized.

We reserve the right of changing design without notice



TOP TECH

Specification

Model	L2				L2E3			
Sample dia.	Ø25mm	Ø32mm	Ø40mm	Ø50mm	Ø25mm	Ø32mm	Ø40mm	Ø50mm
Driven method	High efficiency motor driven & Hydraulic control							
Sample qty.	1pc/per time- Note1				1~3 pc/per time			
Temperature	0~250°C (1°C/unit)-note 2							
Noise level (idle running)	69~75dB		70~78dB		70~77dB		74~78dB	
Heating power	2400W		3200W		4800W		6400W	
Motor power	3200W		4000W		5600W		7200W	
Pressure range	0~180kg/cm ² (1 kg/cm ² /unit)-note 3							
Heating time	Max.60 minutes							
Cooling time	Max.30 minutes							
Memory mode	100 sets (Can set heating temperature、heating time and cooling time)							
Machine size (WxDxH)	79x68x59cm				79x68x71cm			
Weight	124Kg		125Kg		128Kg		131Kg	
Water inlet/outlet pipes	10mm pipes (inner dia.Ø10mm—Outer dia.Ø15mm)							
Cooling System	Electronic water valve connect outside cooling recycle system							
Power supply	AC220V-1 Ø (Special voltage can be ordered)							
Stand accessories	Tweezer : 1pc		Funnel : 1pc		Filter : 1set			
	Spoon : 1pc		Mounting resin : 1kg(2.2lb)		Copper fitting : 2pcs			
	Pipe clip : 6pcs		Screws : 6pcs		Spacer(E3) : 2pcs			
	Acrylic powder:2kgs(4.4lb)							
Option	Cylinder kit							

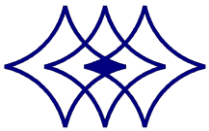
Note 1: Two molds can be produced at same times if option spacer.

Note 2: Special temperature requirement can be customized.

Note 3: The pressure in the table represents the power of the hydraulic system.

Note 4: Special shape and size requirements can be customized.

We reserve the right of changing design without notice

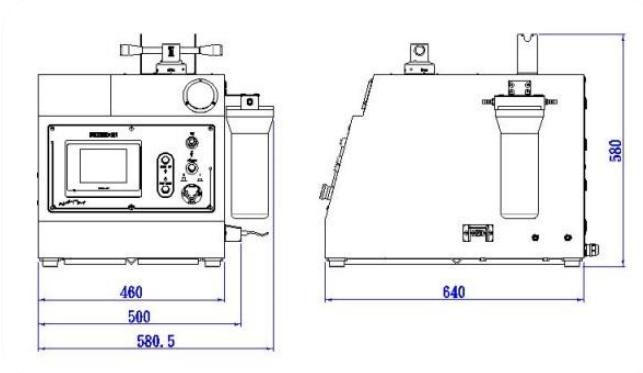


TOP TECH

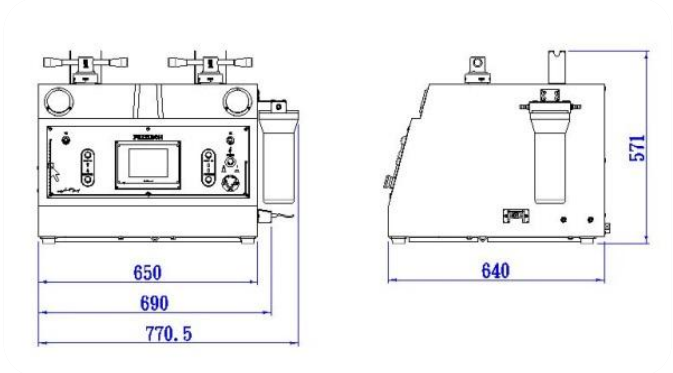
Parameter I

Dimension

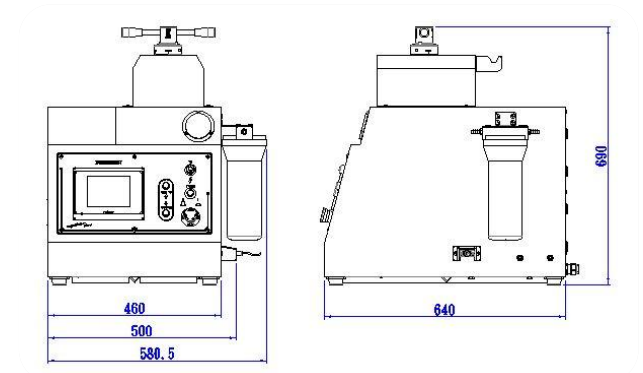
L1(unit: mm)



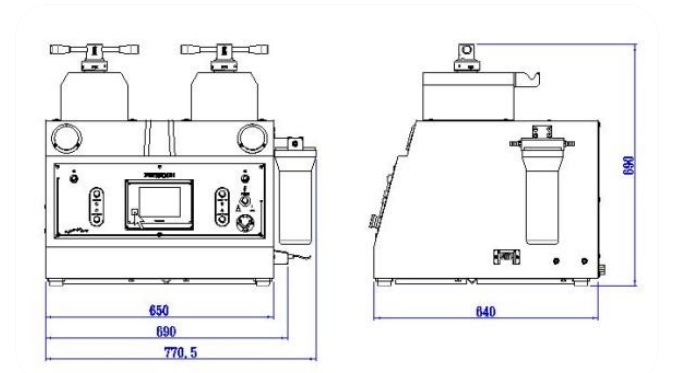
L2(unit : mm)



L1-E3(unit: mm)



L2-E3(unit: mm)

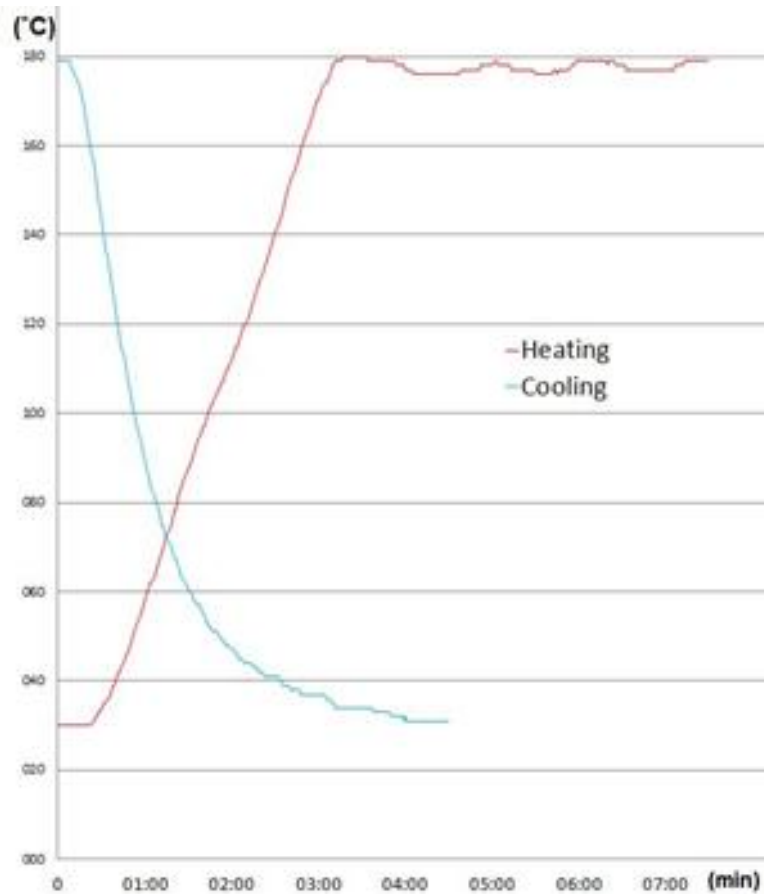




TOP TECH

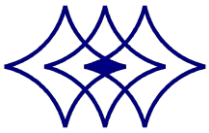
Parameter II

Heating/cooling graph line



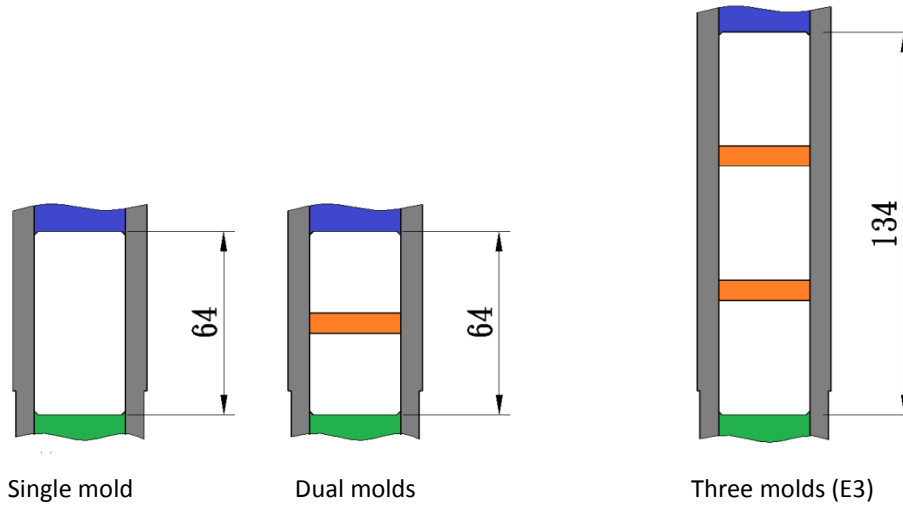
Note:

1. Sample- \varnothing 32mmx20mm (t).
2. Testing results will be different according to weather condition, materials, sample sizes, and cylinder sizes.
(The parameter for reference only)

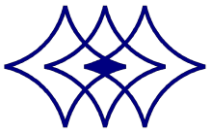


Parameter II

Mold size

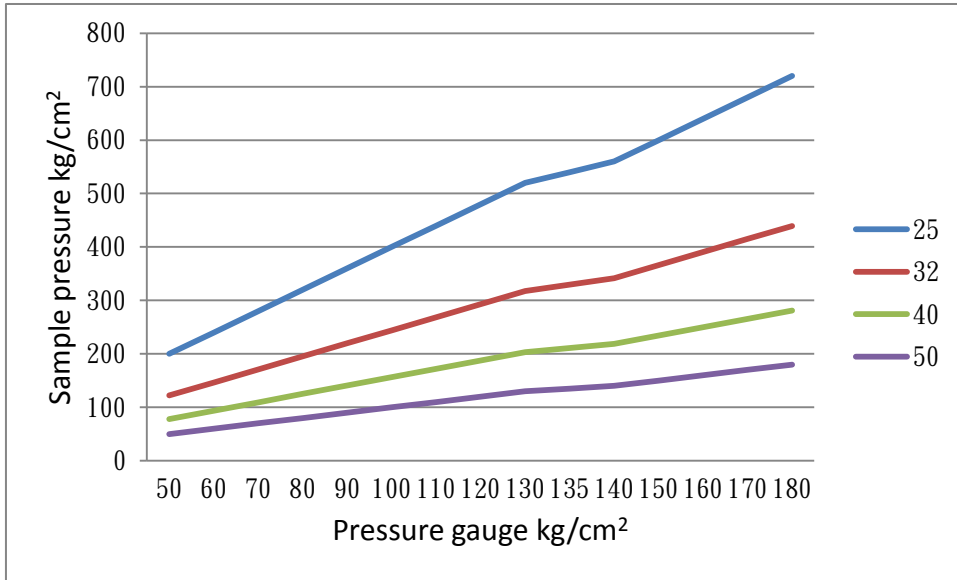


NO.	Mounting size (mm)	Mounting height (mm)	Mounting powder weight (g)	Mold qty.	Mold volume (mm ³)
Single mold	Ø25	21	18	1	10303
	Ø32	21	30	1	16880
	Ø40	21	47	1	26376
	Ø50	21	75	1	41213
Dual mold	Ø25	14	12x2	2	6869
	Ø32	14	22x2	2	11253
	Ø40	14	31x2	2	17584
	Ø50	14	49x2	2	27427
Three molds (E3)	Ø25	18	16x3	3	8831
	Ø32	18	25x3	3	14469
	Ø40	18	40x3	3	22608
	Ø50	18	63x3	3	35325

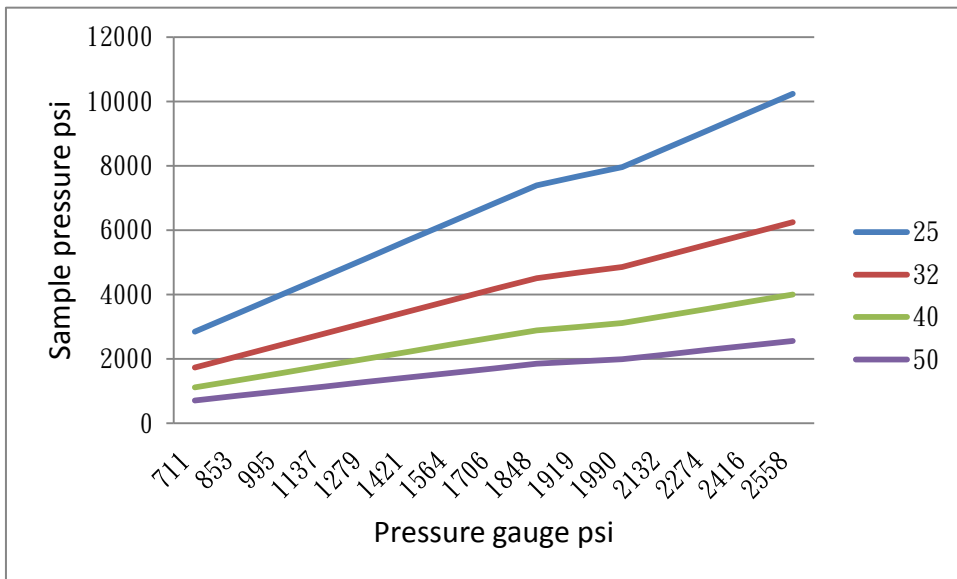


Parameter III

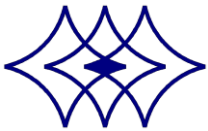
Mounting pressure comparison table



Sample size	Max. pressure (Kg/cm ²)
Ø25mm	800
Ø32mm	488
Ø40mm	312
Ø50mm	180




Sample size	Max. pressure (psi)
Ø25mm	10234
Ø32mm	6246
Ø40mm	3998
Ø50mm	2558




TOP TECH

Consumables


Clear transparent acrylic hot mounting resin

	Order no.	S030201	1 kg
		S030201-1	5 kg
		S030201-2	10 kg

Conductive mounting resin, thermosetting, Phenol- formaldehyde resin

	Order no.	S030106	1 lb (0.45kg)
---	-----------	---------	---------------

Black bake lite hot mounting resin

	Order no.	S03001	Black-25 kg
		S03001-1	Black-1 kg
		S03002	Brown-25 kg
		S03002-1	Brown-1 kg
		S03002-2	Brown-2 kg
		S03003	Green-25 kg
		S03003-1	Green-1 kg
		S03004	Red-25 kg
		S03004-1	Red-1 kg

Remark: Welcome to get the more detail information of consumables in the follow link

<http://toptech.synology.me/Consumables/MountingEN.pdf>





TOP TECH

*Perfect Surface.
Always*

Cutting / Mounting / Grinding & Polishing / Spin Coater

TOP TECH MACHINES CO.,LTD

No.6-3,Siayuan Rd.,Dali,Taichung,412 Taiwan

Tel:886-4-24061658

Fax:886-4-24073200

<http://www.toptech.tw>

<http://toptech.sniapp.com>

E-mail: top@toptech.tw

Agent



We reserve the right to change design without notice.

NO.A16-01

<http://www.toptech.tw>