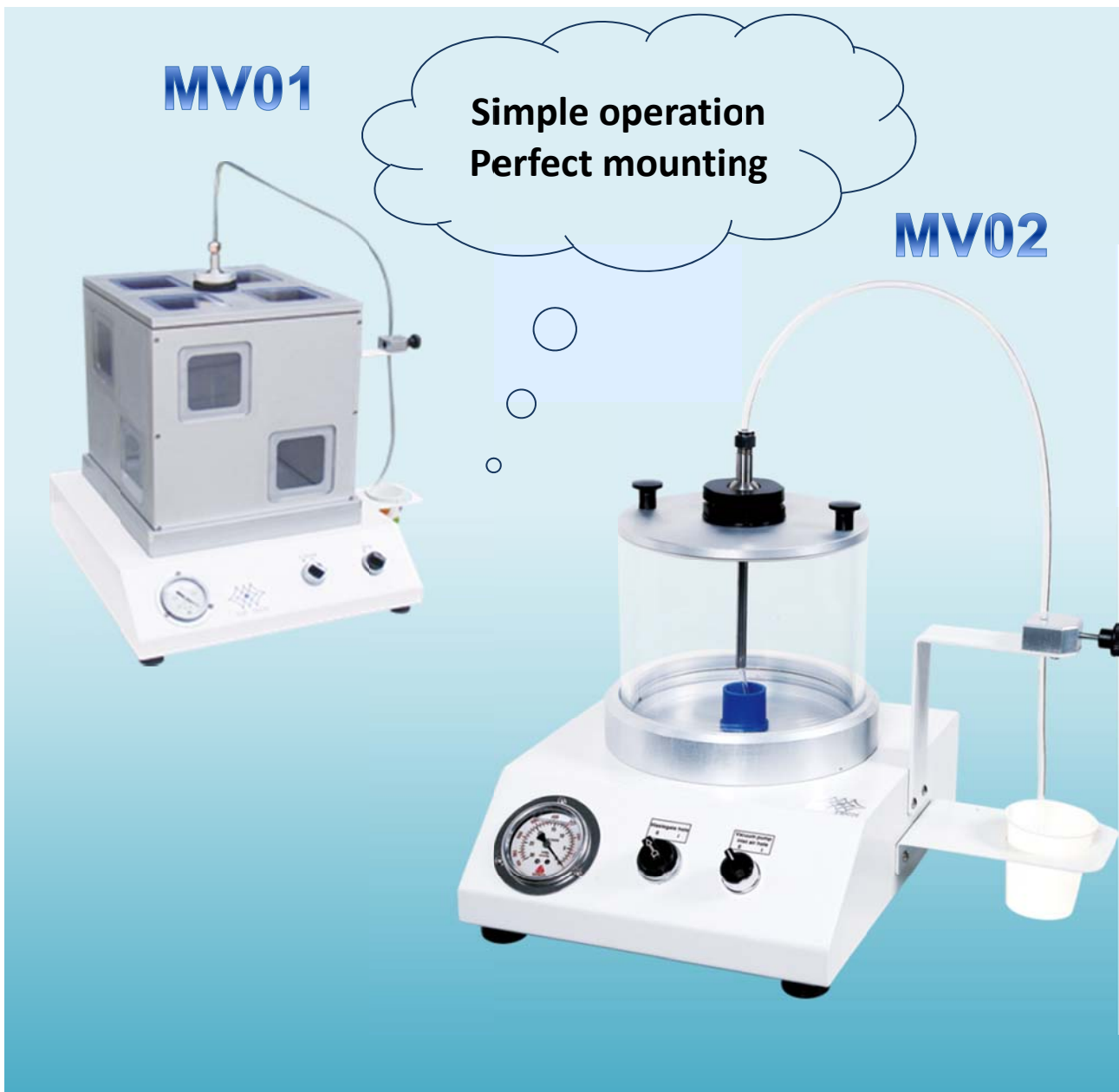


Vacuum Impregnation

MV01/MV02





Instruction

Model: MV02



Operation video

Pressure gauge
Pressure display

Pressure relief switch
Release pressure before
taking the sample out

Vacuum pump switch

Vacuum chamber
High capacity for vacuum

Pour epoxy resin
Control flow

Cup holder

TA07 (option)
Storage cabinet



Features

360° Joy stick
Freely adjust angle

Vacuum chamber (MV02)
Transparent cover for viewing

Quick connector
Main power switch
Built-in fuse wire devices

Knob for pouring epoxy resin
On/Off

Vacuum pump
Quick vacuum speed (50L/min)
Vacuum pressure (-650mm/Hg)



Specification

Model No.	MV01	MV02
Vacuum pressure	-650mm/Hg	
Vacuum pump motor power	180W	
Pump flow	50L/min	
Noise level	63~66dB	62~66dB
Vacuum chamber size (WxDxH)	300x300x300 mm	Ø160x160 mm
Pressure Relief method		
Machine size (WxDxH)	61x55x56cm	48x40x40cm
Weight	73Kg	34Kg
Power supply	AC110V/220V-1 Ø	
Standard accessories	High flow epoxy resin & vacuum pump	

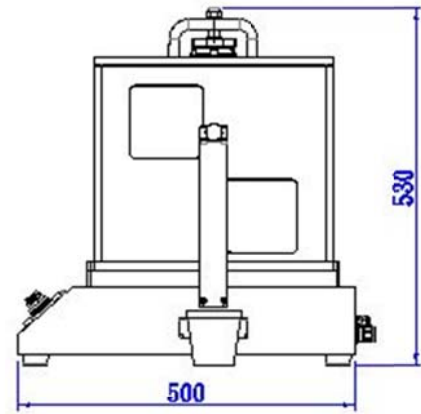
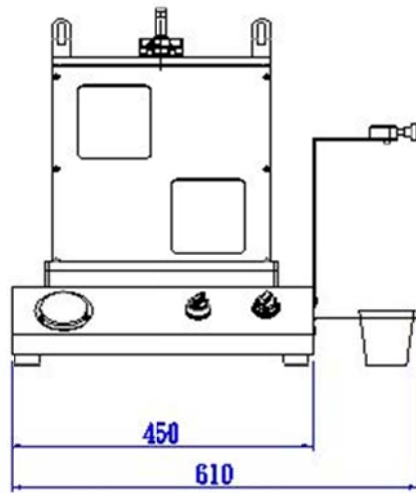
We reserve the right of changing design without notice



Parameter

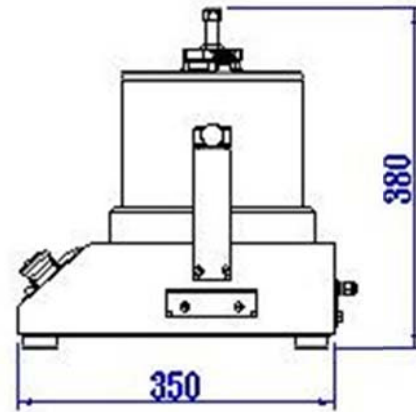
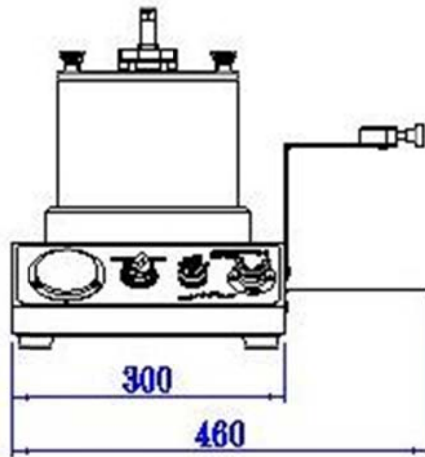
Machine size

MV01



unit : mm

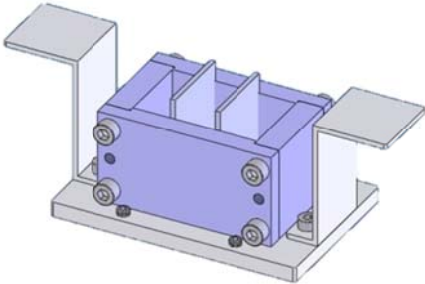
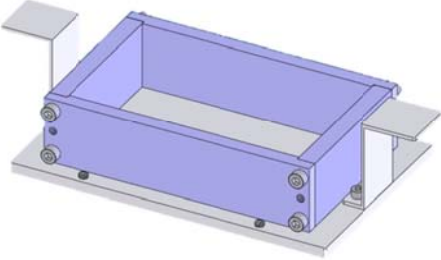
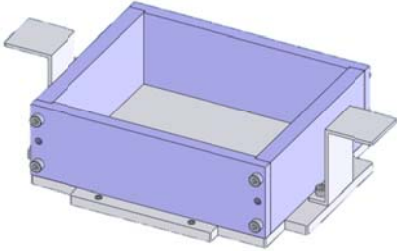
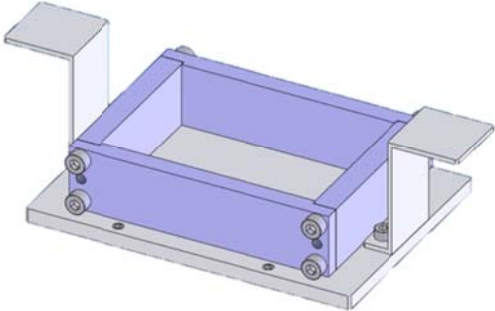
MV02



unit : mm




Mounting mold

Square mold (30x50mm) P20Z00505	Square mold A type (78x130mm) P20Z00501
	
Square mold B type (110x130mm) P20Z00502	Square mold C type (66x93mm) P20Z00503
	




Consumables

Epoxy resin

	Speedy epoxy resin (Curing at room temperature in about 1hour. Without MSDS.)	
	S0303A-1	Speedy epoxy resin 950ml Curing agent 20ml Mixing tool set Operation manual
	High flow epoxy resin (Curing at room temperature in about 24 hours. With MSDS)	
	S0303A-2	Speedy epoxy resin 950ml Curing agent 350ml Mixing tool set Operation manual






Silicone rubber mounting cup

	S10A01	25mm dia. for sample height below 25mm. Capacity:12ml (MOQ: 10pcs)
	S10A02	32mm dia. for sample height below 25mm. Capacity:20ml (MOQ: 10pcs)
	S10A03	40mm dia. for sample height below 25mm. Capacity:20ml (MOQ: 10pcs)
	S10A04	50mm dia. for sample height below 25mm. Capacity:20ml (MOQ: 10pcs)



Consumables

Sample clip

	HZ1502A	Aluminum metal spring sample clip for holding small and thin metal sample (100pcs/box)
	HZ1503A	Plastic spring sample clip for holding small and thin non-metal sample (100pcs/box)
	S0805A	Square in circle sample mold for holding PCB samples (1000pcs/box)
	S0806A	Square bilateral sample mold for holding PCB samples. (1000pcs/box)
	S0807A	Long piece sample mold for holding PCB samples. (1000pcs/box)

Remark: Welcome to get the more detail information of consumables in the follow link

<http://toptech.synology.me/Consumables/MountingEN.pdf>





TOP TECH
With Excellent Surface

*Perfect Surface.
Always*

Cutting / Mounting / Grinding & Polishing / Spin Coater

TOP TECH MACHINES CO.,LTD

No.6-3,Siayuan Rd.,Dali,Taichung,412 Taiwan

Tel:886-4-24061658

Fax:886-4-24073200

<http://www.toptech.tw>

<http://toptech.snjapp.com>

E-mail: top@toptech.tw

Agent



We reserve the right of changing design without notice

NO.A16-01

<http://www.toptech.tw>