



STEREO MICROSCOPES



EM Series

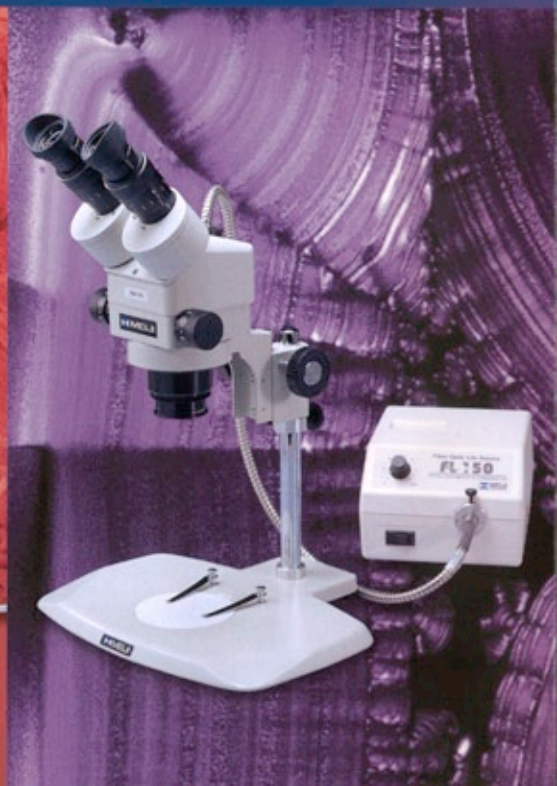
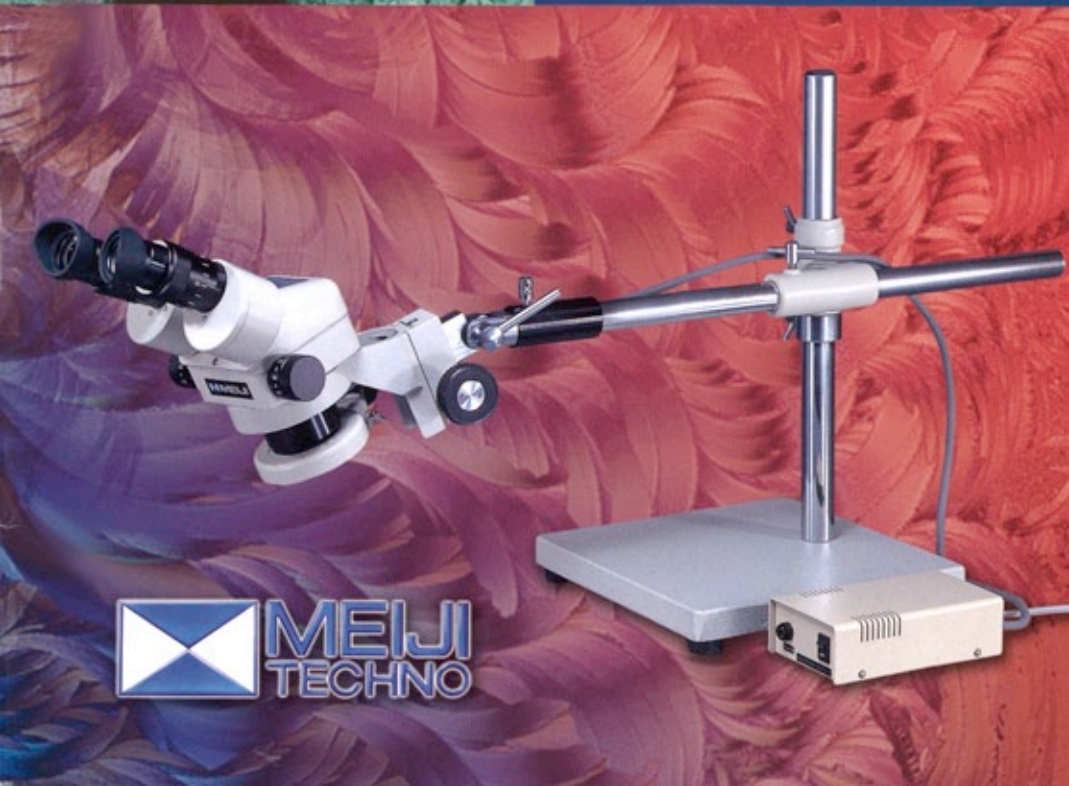


TABLE OF CONTENTS

Introduction	page 1
EMZ-5 Zoom Stereo Microscopes	page 2
EMZ-5TR Trinocular Zoom Stereo Microscopes	page 3
EMZ Zoom Microscope Bodies	page 4-8
EMT Turret and Fixed Microscope Bodies	page 9-10
EMX Long Working Distance Turret Stereo Body	page 11
Configuration Samples	page 10-11
Eyepieces and Eyepiece Accessories	page 12
Auxiliary Objective Lenses	page 13
Focusing Blocks	page 14-15
Pole Type Stands	page 16-18
Rigid Arm Stands	page 19-20
Stands With Extended Work Surface	page 21
Universal Boom Stands	page 22
Articulated Arm, Clamp Boom, Extended Work Surface Stand	page 23
Stages	page 24-25
Accessories	page 25-26
Configuration Samples	page 27
Illumination and Accessories	page 28-29
Cameras for Video Microscopy	page 30
Video "C" Mounts	page 31
Photomicroscopy Accessories	page 32
Digital camera adapters	page 32-33
EMZ Optical Data	page 34
EMF, EMT, EMTR and EMX Optical Data	page 35
System Diagram for Zoom Models	page 36-37
System Diagram for EMF, EMT, EMTR, and EMX	page 38-39
System Diagram for Special Stands	page 40
System Diagram for Video Microscopy	page 41
System Diagram for Photomicroscopy	page 41

STEREO MICROSCOPES

No other line of stereo microscopes can match the combination of superb optics, rugged dependability, economical pricing, and wide range of accessories offered by Meiji Techno's EM Series stereo microscopes.

Modular Flexibility:

EM Series stereo microscopes are tailored to fit the needs of each and every customer. Modular design enables the user to engineer his own custom solution for virtually any application, selecting components from the widest range of stereo bodies, stands, eyepieces, supplementary lenses, illuminators, and accessory components available in the microscope industry today.

Superb Optics:

Multi-coated optical components, free from chromatic and spherical aberration, provide crystal-clear, high resolution images. The Greenough optical design provides superior erect, unreversed, stereoscopic images, rich in contrast, brightness and correct in their original color. Excellent depth of field and a flat image rendition are also characteristic of the EM Series product line.

Rugged Dependability:

All-metal aluminum alloy microscope bodies and components with chemical resistant finishes guarantee stability and rugged dependability for a lifetime of day-in and day-out use. Superior craftsmanship, quality components and materials result in long-lasting, high-performance products.

Ergonomic Design:

All EM Series stereo microscope bodies feature a compact lightweight design. Every stereo body features adjustable diopter tubes and interpupillary distance adjustment. Observation tubes are inclined at 45°, 60° or 90° for convenient fatigue free viewing depending on the application. A range of fixed or tilting focus blocks are available to mount the microscope body onto existing O.E.M. equipment. A choice of Zoom, Turret or Fixed magnification bodies with various working distances, optional auxiliary objectives and eyepieces, multiple adjustable stands, versatile illumination systems, and auxiliary components allow the end user to design a system to fulfill their specific requirements.

Applications:

EM Series stereo microscopes are the perfect modular microscope systems for a multitude of applications ranging from biological and industrial fields to educational and training situations. A wide variety of professional groups currently use the EM series product to their advantage: Biologists, Physicians, Geologists, Engineers, Dentists, Dental Technicians, Veterinarians, Paleontologists, Entomologists, Gemologists, Educators, Scientific Researchers, Quality Control Personnel, Quality Assurance Personnel, Assemblers, Forensic Document Examiners, Art Restoration Experts, Textile Specialists, Wire And Die Manufacturers, Environmental Specialists, Ophthalmic Specialists, Dermatologists, Metrology Personnel, Tool and Die Professionals, Circuit Board Rework and Repair Personnel, Aquaculture Professionals, Embryo Transplant Professionals, Horticultural Experts, Exterminators, Fish and Wildlife Departments, U.S. Customs Service, Semiconductor Manufacturers, Foresters, Pharmaceutical Manufacturers, Electroplating Specialists, Ballistics Experts, etc...



Head office · Factory (Miyoshi-machi, Saitama, Japan)

ZOOM STEREO MICROSCOPES

EMZ-5 ZOOM STEREO BODY

- Crisp, high resolution, precision optics provide an excellent, erect, unreversed stereoscopic image.
- Rugged all metal body designed to last a lifetime.
- Zoom Range: 0.7X to 4.5X
- Zoom Ratio: 6.5:1
- Ergonomically positioned bilateral zoom controls.
- Binocular eyetubes inclined at 45° for fatigue free viewing.
- Total magnification range available with auxillary lenses and eyepieces: 2.1X to 270X.
- Dual dioptic adjustment (± 5 diopters) allows the specimen to remain in focus throughout the entire zoom magnification range.
- Interpupillary distance adjustment from 54mm to 75mm.
- Binocular body can be rotated a full 360° and locked in any position.
- Standard working distance 93mm.
- Working distance with optional auxillary lenses: 34mm to 251mm.



EMZ-5 with MA502 SWF10X



EMZ-5 on PK Stand with MA502 SWF10X eyepieces



EMZ-5 on PKL Stand with MA502 SWF10X eyepieces



EMZ-5 on ABE Stand with MA502 SWF10X eyepieces

EMZ-5TR ZOOM STEREO BODY

- Trinocular zoom body for use in photographic and video applications. When the beamsplitter is engaged 100% of the light from the left optical path is directed to the phototube. The image can still be viewed through the right eyetube.
- Crisp, high resolution, precision optics provide an excellent, erect, unreversed stereoscopic image.
- Rugged all metal body designed to last a lifetime.
- Zoom Range: 0.7X to 4.5X
- Zoom Ratio: 6.5:1
- Ergonomically positioned bilateral zoom controls.
- Binocular eyetubes inclined at 45° for fatigue free viewing.
- Total magnification range available with auxiliary lenses and eyepieces: 2.1X to 270X.
- Dual dioptric adjustment (± 5 diopters) allows the specimen to remain in focus throughout the entire zoom magnification range.
- Interpupillary distance adjustment from 54mm to 75mm.
- Trinocular body can be rotated a full 360° and locked in any position.
- Standard working distance 93mm.
- Working distance with optional auxiliary lenses: 34mm to 251mm.



EMZ-5TR with MA502 SWF10X



EMZ-5TR on PK Stand with MA502 SWF10X eyepieces



EMZ-5TR on PKL Stand with MA502 SWF10X eyepieces



EMZ-5TR on ABE Stand with MA502 SWF10X eyepieces

ZOOM STEREO MICROSCOPES



EMZ-5 with MA502 SWF10X eyepieces

EMZ-5 ZOOM STEREO BODY

Body: Binocular, rotatable 360°
Zoom Ratio: 6.5:1
Zoom Range: 0.7X to 4.5X
Zoom Control: Dual, graduated, bilateral mount.
Magnification: 7X - 45X (With 10X eyepieces)
Field of view: 32mm - 5.1mm (With 10X eyepieces)
Working Distance: 93mm, Eyetube Inclination: 45°
Interpupillary Distance Adjustment: 54mm - 75mm
Dioptric Adjustment: Dual (± 5 diopters)

Extended Magnification Range : 2.1X - 270X
Extend working distances: 34mm - 251mm
(With supplemental objectives and eyepieces)

EMZ-5D ZOOM STEREO BODY WITH DETENT



EMZ-5TR with MA502 SWF10X eyepieces

EMZ-5TR ZOOM STEREO BODY

Body: Trinocular, rotatable 360°
Zoom Ratio: 6.5:1
Zoom Range: 0.7X to 4.5X
Zoom Control: Dual, graduated, bilateral mount.
Magnification: 7X - 45X (With 10X eyepieces)
Field of view: 32mm - 5.1mm (With 10X eyepieces)
Working Distance: 93mm, Eyetube Inclination: 45°
Interpupillary Distance Adjustment: 54mm - 75mm
Dioptric Adjustment: Dual (± 5 diopters)

Extended Magnification Range : 2.1X - 270X
Extend working distances: 34mm - 251mm
(With supplemental objectives and eyepieces)

EMZ-5TRD ZOOM STEREO BODY WITH DETENT



EMZ-10 with MA502 SWF10X eyepieces

EMZ-10 ZOOM STEREO BODY

Body: Binocular, rotatable 360°
Zoom Ratio: 6.5:1
Zoom Range: 0.7X to 4.5X
Zoom Control: Dual, graduated, bilateral mount.
Magnification: 7X - 45X (With 10X eyepieces)
Field of view: 32mm - 5.1mm (With 10X eyepieces)
Working Distance: 110mm
Eyetube Inclination: 45°
Interpupillary Distance Adjustment: 54mm - 75mm
Dioptric Adjustment: Dual (± 5 diopters)

Extended Magnification Range : 2.1X - 270X
Extend working distances: 45mm - 332mm
(With supplemental objectives and eyepieces)



EMZ-2 with MA502 SWF10X eyepieces

EMZ-2 ZOOM STEREO BODY

Body: Binocular, rotatable 360°
 Zoom Ratio: 6.5:1
 Zoom Range: 0.7X to 4.5X
 Zoom Control: Graduated knurled ring
 Magnification: 7X - 45X (With 10X eyepieces)
 Field of view: 32mm - 5.1mm (With 10X eyepieces)
 Working Distance: 93mm
 Eyetube Inclination: 45°
 Interpupillary Distance Adjustment: 54mm - 75mm
 Dioptric Adjustment: Dual (± 5 diopters)

Extended Magnification Range : 2.1X - 270X
 Extend working distances: 34mm - 251mm
 (With supplemental objectives and eyepieces)



EMZ-2TR with MA502 SWF10X eyepieces

EMZ-2TR ZOOM STEREO BODY

Body: Trinocular, rotatable 360°
 Zoom Ratio: 6.5:1
 Zoom Range: 0.7X to 4.5X
 Zoom Control: Graduated knurled ring
 Magnification: 7X - 45X (With 10X eyepieces)
 Field of view: 32mm - 5.1mm (With 10X eyepieces)
 Working Distance: 93mm
 Eyetube Inclination: 45°
 interpupillary Distance Adjustment: 54mm - 75mm
 Dioptric Adjustment: Dual (± 5 diopters)

Extended Magnification Range : 2.1X - 270X
 Extend working distances: 34mm - 251mm
 (With supplemental objectives and eyepieces)



Z-7100 with MA502 SWF10X eyepieces

Z-7100 ZOOM STEREO BODY

Body: Binocular, rotatable 360°
 Zoom Ratio: 6.5:1
 Zoom Range: 0.7X to 4.5X
 Zoom Control: Dual, graduated, bilateral mount.
 Magnification: 7X - 45X (With 10X eyepieces)
 Field of view: 32mm - 5.1mm (With 10X eyepieces)
 Working Distance: 110mm
 Eyetube Inclination: 90°
 Interpupillary Distance Adjustment: 54mm - 75mm
 Dioptric Adjustment: Dual (± 5 diopters)

Extended Magnification Range : 2.1X - 270X
 Extend working distances: 45mm - 332mm
 (With supplemental objectives and eyepieces)

ZOOM STEREO MICROSCOPES



EMZ-8U with MA502 SWF10X eyepieces

EMZ-8U ZOOM STEREO BODY WITH INLET FOR FIBER LIGHT GUIDE

Body: Binocular, rotatable 360°
Zoom Ratio: 6.5:1
Zoom Range: 0.7X to 4.5X
Zoom Control: Dual, graduated, bilateral mount.
Magnification: 7X - 45X (With 10X eyepieces)
Field of view: 32mm - 5.1mm (With 10X eyepieces)
Working Distance: 104mm, Eyetube Inclination: 45°
Interpupillary Distance Adjustment: 54mm - 75mm
Dioptric Adjustment: Dual (± 5 diopters)

Extended Magnification Range : 2.45X - 202.5X
Extend working distances: 57mm - 250mm
(With supplemental objectives and eyepieces)

EMZ-8UD ZOOM STEREO BODY WITH DETENT



EMZ-8TR with MA502 SWF10X eyepieces

EMZ-8TR ZOOM STEREO BODY

Benefits: Direct light to all three viewing ports simultaneously

Body: Trinocular, rotatable 360°
Zoom Ratio: 6.5:1
Zoom Range: 0.7X to 4.5X
Zoom Control: Dual, graduated, bilateral mount.
Magnification: 7X - 45X (With 10X eyepieces)
Field of view: 32mm - 5.1mm (With 10X eyepieces)
Working Distance: 104mm, Eyetube Inclination: 45°
Interpupillary Distance Adjustment: 54mm - 75mm
Dioptric Adjustment: Dual (± 5 diopters)

Extended Magnification Range : 2.45X - 202.5X
Extend working distances: 57mm - 250mm
(With supplemental objectives and eyepieces)

EMZ-8TRD ZOOM STEREO BODY WITH DETENT



EMZ-8TRU with MA502 SWF10X eyepieces

EMZ-8TRU ZOOM STEREO BODY WITH INLET FOR FIBER LIGHT GUIDE

Benefits: Direct light to all three viewing ports simultaneously

Body: Trinocular, rotatable 360°
Zoom Ratio: 6.5:1
Zoom Range: 0.7X to 4.5X
Zoom Control: Dual, graduated, bilateral mount.
Magnification: 7X - 45X (With 10X eyepieces)
Field of view: 32mm - 5.1mm (With 10X eyepieces)
Working Distance: 104mm, Eyetube Inclination: 45°
Interpupillary Distance Adjustment: 54mm - 75mm
Dioptric Adjustment: Dual (± 5 diopters)

Extended Magnification Range : 2.45X - 202.5X
Extend working distances: 57mm - 250mm
(With supplemental objectives and eyepieces)



EMZ-12 with MA502 SWF10X eyepieces

EMZ-12 ZOOM STEREO BODY WITH INLET FOR FIBER LIGHT GUIDE

Body: Binocular, rotatable 360°
Zoom Ratio: 6.25:1
Zoom Range: 0.4X to 2.5X
Zoom Control: Graduated knurled ring
Magnification: 4X - 25X (With 10X eyepieces)
Field of view: 57mm - 9.2mm (With 10X eyepieces)
Working Distance: 185mm, Eyetube Inclination: 45°
Interpupillary Distance Adjustment: 54mm - 75mm
Dioptric Adjustment: Dual (± 5 diopters)

Extended Magnification Range : 2.28X - 75X
Extend working distances: 185mm - 300mm
(With supplemental objectives and eyepieces)

EMZ-12D ZOOM STEREO BODY WITH DETENT



EMZ-12TR with MA502 SWF10X eyepieces

EMZ-12TR ZOOM STEREO BODY WITH INLET FOR FIBER LIGHT GUIDE

Body: Trinocular, rotatable 360°
Zoom Ratio: 6.25:1
Zoom Range: 0.4X to 2.5X
Zoom Control: Graduated knurled ring
Magnification: 4X - 25X (With 10X eyepieces)
Field of view: 57mm - 9.2mm (With 10X eyepieces)
Working Distance: 185mm, Eyetube Inclination: 45°
Interpupillary Distance Adjustment: 54mm - 75mm
Dioptric Adjustment: Dual (± 5 diopters)

Extended Magnification Range : 2.28X - 75X
Extend working distances: 185mm - 300mm
(With supplemental objectives and eyepieces)

EMZ-12TRD ZOOM STEREO BODY WITH DETENT

ZOOM STEREO MICROSCOPES



EMZ-13 with MA502 SWF10X eyepieces

EMZ-13 ZOOM STEREO BODY

Body: Binocular, rotatable 360°
Zoom Ratio: 7:1
Zoom Range: 1X to 7X
Zoom Control: Dual, graduated, bilateral mount.
Magnification: 10X - 70X (With 10X eyepieces)
Field of view: 23mm - 3.2mm (With 10X eyepieces)
Working Distance: 90mm, Eyetube Inclination: 45°
Interpupillary Distance Adjustment: 54mm - 75mm
Dioptric Adjustment: Dual (± 5 diopters)

Extended Magnification Range : 3X - 420X
Extend working distances: 32mm - 230mm
(With supplemental objectives and eyepieces)

EMZ-13D ZOOM STEREO BODY WITH DETENT



EMZ-13TR with MA502 SWF10X eyepieces

EMZ-13TR ZOOM STEREO BODY

Body: Trinocular, rotatable 360°
Zoom Ratio: 7:1
Zoom Range: 1X to 7X
Zoom Control: Dual, graduated, bilateral mount.
Magnification: 10X - 70X (With 10X eyepieces)
Field of view: 23mm - 3.2mm (With 10X eyepieces)
Working Distance: 90mm, Eyetube Inclination: 45°
Interpupillary Distance Adjustment: 54mm - 75mm
Dioptric Adjustment: Dual (± 5 diopters)

Extended Magnification Range : 3X - 420X
Extend working distances: 32mm - 230mm
(With supplemental objectives and eyepieces)

EMZ-13TRD ZOOM STEREO BODY WITH DETENT

TURRET-TYPE

STEREO MICROSCOPES



EMT-1
with MA502 SWF10X eyepieces

EMTR-1
with MA502 SWF10X eyepieces

EMT-1 & EMTR-1 TURRET STEREO BODY

Body: Binocular or trinocular, rotatable 360°
Paired Objectives: 1X, 2X
Magnification: 10X, 20X (With 10X eyepieces)
Field of view: 23mm, 11.5mm (With 10X eyepieces)
Working Distance: 108mm
Eyetube Inclination: 45°
Interpupillary Distance Adjustment: 54mm - 75mm
Dioptric Adjustment: Left eyetube

Extended Magnification Range : 10X - 60X
Extend working distances: None



EMT-2
with MA502 SWF10X eyepieces

EMTR-2
with MA502 SWF10X eyepieces

EMT-2 & EMTR-2 TURRET STEREO BODY

Body: Binocular or trinocular, rotatable 360°
Paired Objectives: 1X, 3X
Magnification: 10X, 30X (With 10X eyepieces)
Field of view: 23mm, 7.6mm (With 10X eyepieces)
Working Distance: 81mm
Eyetube Inclination: 45°
Interpupillary Distance Adjustment: 54mm - 75mm
Dioptric Adjustment: Left eyetube

Extended Magnification Range : 5X - 180X
Extend working distances: 21mm - 108mm
(With supplemental objectives and eyepieces)



EMT-3
with MA502 SWF10X eyepieces

EMTR-3
with MA502 SWF10X eyepieces

EMT-3 & EMTR-3 TURRET STEREO BODY

Body: Binocular or trinocular, rotatable 360°
Paired Objectives: 2X, 4X
Magnification: 20X, 40X (With 10X eyepieces)
Field of view: 11.5mm, 5.7mm (With 10X eyepieces)
Working Distance: 63mm
Eyetube Inclination: 45°
Interpupillary Distance Adjustment: 54mm - 75mm
Dioptric Adjustment: Left eyetube

Extended Magnification Range : 10X - 240X
Extend working distances: 22mm - 108mm
(With supplemental objectives and eyepieces)

TURRET-TYPE

STEREO MICROSCOPES



EMT-4
with MA502 SWF10X eyepieces

EMTR-4
with MA502 SWF10X eyepieces

EMT-4 & EMTR-4 TURRET STEREO BODIES

Body: Binocular or trinocular, rotatable 360°
 Paired Objectives: 1X, 4X
 Magnification: 10X, 40X (With 10X eyepieces)
 Field of view: 23mm, 5.7mm (With 10X eyepieces)
 Working Distance: 63mm
 Eyetube Inclination: 45°
 Interpupillary Distance Adjustment: 54mm - 75mm
 Dioptic Adjustment: Left eyetube

Extended Magnification Range : 5X - 240X
 Extend working distances: 22mm-108mm

FIXED-OBJECTIVE TYPE

STEREO MICROSCOPES



EMF-1, EMF-2 with MA502 SWF10X eyepieces

EMF-1, EMF-2 FIXED-OBJECTIVE STEREO BODY

	EMF-1	EMF-2
Body	Binocular rotatable 360°	
Paired Objective	1X	2X
Magnification (with 10X eyepieces)	10X	20X
Field of view	23mm	11.5mm
Working Distance	108mm	
Eyetube Inclination	45°	
Interpupillary Distance Adjustment	54mm - 75mm	
Dioptic Adjustment	Left eyetube	
Extended Magnification Range (with optional eyepieces)	5X - 30X	10X - 60X

CONFIGURATION SAMPLES



EMF-2 / SWF10X / PK



EMT-1 / SWF10X / PKL



EMTR-2 / SWF10X / PBH



EMX-1 / SWF10X / PX

LONG WORKING DISTANCE TURRET STEREO



EMX-1 TURRET STEREO BODIES

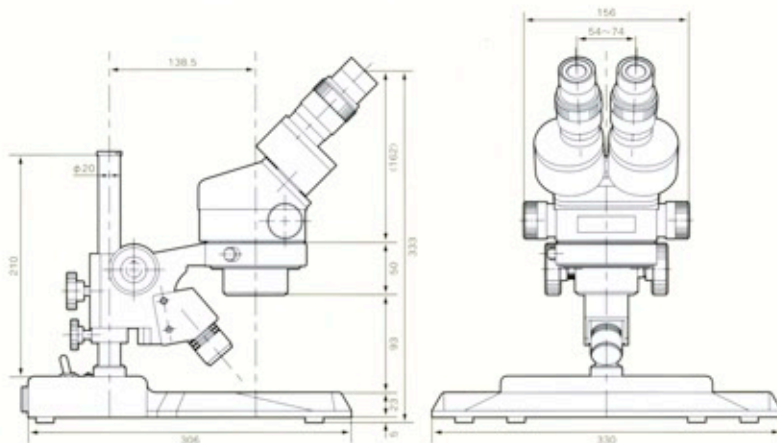
Body: Binocular, rotatable 360°
 Paired Objectives: 0.5X, 1X
 Magnification: 5X, 10X (With 10X eyepieces)
 Field of view: 46mm, 23mm (With 10X eyepieces)
 Working Distance: 225mm
 Eyetube Inclination: 45°
 Interpupillary Distance Adjustment: 54mm - 75mm
 Dioptic Adjustment: Left eyetube
 Extended Magnification Range : 5X - 30X
 Extend working distances: 300mm
 (With supplemental objectives and eyepieces)

EMX-1 with MA502 SWF10X eyepieces

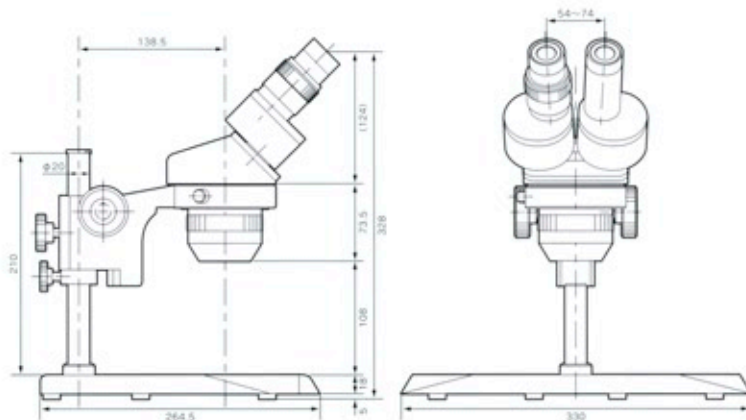
CONFIGURATION SAMPLES



EMZ-5 / SWF10X / PKL



EMF-2 / SWF10X / PK



EYEPIECES AND EYEPIECE ACCESSORIES

EYEPIECES

A large selection of interchangeable super widefield eyepieces are available for all EM Series stereo microscopes.

- MA501** Super Widefield 5X Eyepiece, field No.26
- MA718** Super Widefield 7.5X Eyepiece with 25mm diameter reticle mount, field No.26
- MA502** Super Widefield 10X Eyepiece with 25mm diameter reticle mount, field No.23
- MA520** Super Widefield 12.5X Eyepiece with 25mm diameter reticle mount, field No.20
- MA503** Super Widefield 15X Eyepiece with 25mm diameter reticle mount, field No.15.4
- MA535** Super Widefield 15X High-eyepoint eyepiece with 25mm diameter reticle mount, field No.16.0
- MA504** Super Widefield 20X Eyepiece with 25mm diameter reticle mount, field No.11.5
- MA903** Super Widefield Focusing Eyepiece 20X with 25mm diameter reticle mount, field No.11.5
- MA521** Super Widefield 30X Eyepiece field No. 7.7
- MA519** Super Widefield 10X Focusing eyepiece (single) with 25mm diameter reticle mount, field No.21
- MA600** Eyeshields (paired)

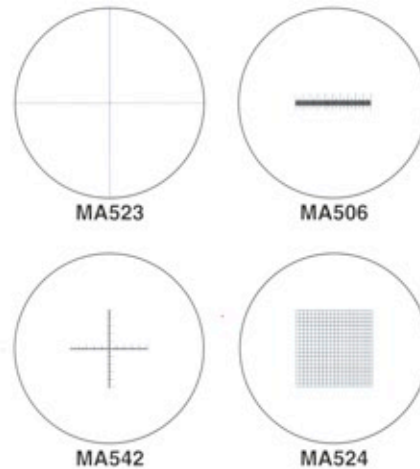


Note: All eyepieces are paired unless otherwise indicated.

EYEPIECE MICROMETERS

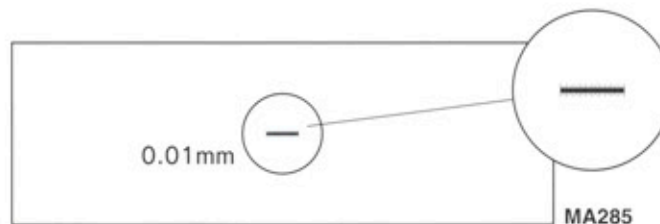
Eyepiece micrometers can be inserted into the 10X, 15X or 20X eyepieces for the purpose of specimen measurement. Linear scales, counting grids, and cross-line micrometers are just a few of the choices available to facilitate measurement of your specimens.

- MA523** Cross-line, 25mm diameter
- MA506** 10mm divided into 100 units, 25mm diameter
- MA509** 5mm divided into 100 units, 25mm diameter
- MA510** 10mm square divided into 100 parts, 25mm diameter (Each side of each individual square 1.0mm)
- MA524** 10mm square divided into 400 parts, 25mm diameter (Each side of each individual square 0.5mm)
- MA542** Cross-line with 0.01mm graduations, 25mm diameter



STAGE MICROMETERS

Stage micrometers are used to calibrate eyepiece micrometers. Stage micrometers are available in both English and metric scales for reflected and transmitted light.



- MA285** 1mm divided into 100 units (0.01mm), for transmitted light
- MA286** 0.04" divided into 40 units (0.001"), for transmitted light
- MA287** 0.1mm by 0.1mm counting square for transmitted light
- MA292** 1mm divided into 100 parts(0.01mm), for reflected light

AUXILIARY OBJECTIVE LENSES

A large selection of auxiliary objective lenses are available for EM Series stereo microscopes.

AUXILIARY LENSES FOR: EMZ-1, EMZ-2, EMZ-2TR, EMZ-5, EMZ-5D, EMZ-5TR, EMZ-5TRD, EMZ-6, EMZ-9, EMZ-13 & EMZ-13TR

- MA530** Auxiliary lens 0.3X, Working distance 251mm
- MA525** Auxiliary lens 0.44X, Working distance 171mm
- MA517** Auxiliary lens 0.5X, Working distance 148mm
- MA526** Auxiliary lens 0.75X, Working distance 97mm
- MA507** Auxiliary lens 1.5X, Working distance 49mm
- MA511** Auxiliary lens 2.0X, Working distance 33mm



AUXILIARY LENSES FOR: EMZ-10 and Z-7100

- MA545** Auxiliary lens 0.3X, Working distance 326mm
- MA558** Auxiliary lens 0.44X, Working distance 247mm
- MA546** Auxiliary lens 0.5X, Working distance 194mm
- MA547** Auxiliary lens 0.75X, Working distance 127mm
- MA548** Auxiliary lens 1.5X, Working distance 64mm
- MA549** Auxiliary lens 2.0X, Working distance 44mm



AUXILIARY LENSES FOR: EMZ-8TR, EMZ-8TRD, EMZ-8TRU, EMZ-8UD

- MA791** Auxiliary lens 0.28X, Working distance 300mm
- MA792** Auxiliary lens 0.35X, Working distance 280mm
- MA794** Auxiliary lens 0.5X, Working distance 174mm
- MA795** Auxiliary lens 1.5X, Working distance 57mm
- MA802** Auxiliary lens 2.0X, Working distance 36.6mm



AUXILIARY LENSES FOR: EMT-2, EMTR-2, EMT-3, EMTR-3, EMT-4, EMTR-4

- MA515** Adapter*
- MA518** Auxiliary lens 0.5X, Working distance 108mm
- MA527** Auxiliary lens 0.75X, Working distance 72mm
- MA513** Auxiliary lens 1.5X, Working distance 35mm
- MA514** Auxiliary lens 2.0X, Working distance 22mm



*NOTE: The MA515 adapter is required when using the MA518, MA527, MA513, or MA514 with the EMT-2 and EMTR-2

AUXILIARY LENS FOR EMX-1, EMZ-12, EMZ-12D, EMZ-12TR & EMZ-12TRD

- MA652** Auxiliary lens 0.7X Working distance 233mm
- MA796** Auxiliary lens 0.57X Working distance 300mm



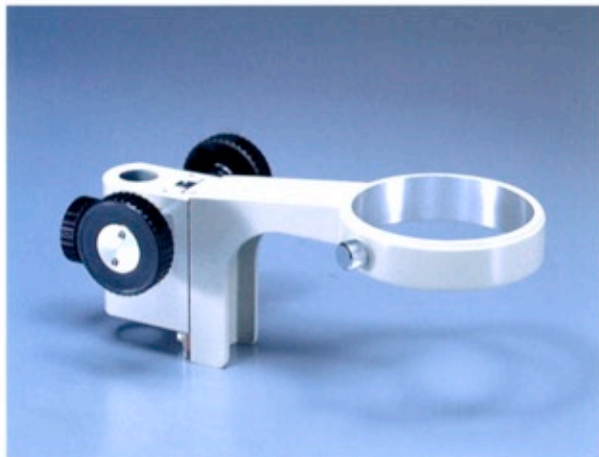
FOCUSING BLOCKS



F

F HOLDER

Focusing slide block designed to hold the stereo microscope body on machines or for special OEM applications. Rack and pinion mount allows smooth, precise focusing over 55mm of travel. Coarse focus mechanism incorporates a slip clutch and tension adjustment. Fits 20mm mounting post, 84.2mm diameter opening accepts 84mm stereo microscope body.



FK

FK HOLDER

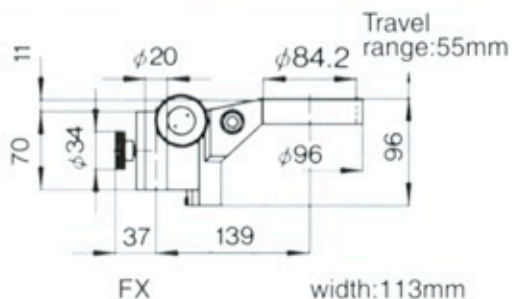
Focusing slide block designed to hold the stereo microscope body on machines or for special OEM applications. Rack and pinion mount allows smooth, precise focusing. Coarse focus mechanism incorporates a slip clutch and tension adjustment. Distance from center of holder to center of pillar is 27.8mm longer than other holders like F, FX, FS and FSC holders. Therefore, when using trinocular microscope bodies like EMZ-8TR or EMZ-13TR, it rotates smoothly without the part of straight tube protruded touching holder.



FX

FX HOLDER

Special tilting focusing slide block with integral illuminator port designed to hold the stereo microscope body on machines or for special OEM applications. Rack and pinion mount allows smooth, precise focusing over 55mm of travel. Coarse focus mechanism incorporates a slip clutch and tension adjustment. 15.8mm (5 / 8") mounting pin, 84.2mm diameter opening accepts 84mm stereo microscope body.

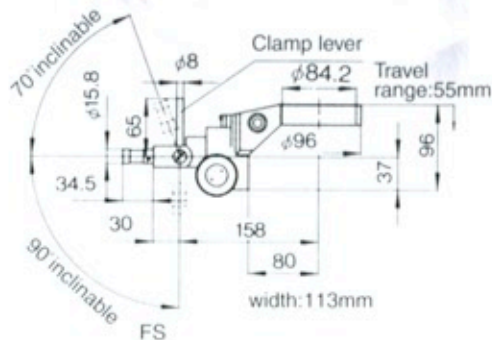




FS

FS HOLDER

Special tilting focusing slide block with integral illuminator port designed to hold the stereo microscope body on machines or for special OEM applications. Rack and pinion mount allows smooth, precise focusing over 55mm of travel. Coarse focus mechanism incorporates a slip clutch and tension adjustment. 15.8mm (5 / 8") mounting pin, 84.2mm diameter opening accepts 84mm stereo microscope body.



FSC

FSC HOLDER

Special tilting focusing slide block designed to hold the stereo microscope body on machines or for special OEM applications. Coaxial coarse and fine focusing slide block designed for applications where precise fine focus adjustment is required. Rack and pinion mount allows smooth, precise focusing. Coarse focus mechanism incorporates a slip clutch and tension adjustment.



FC

FC HOLDER

Coaxial coarse and fine focusing slide block designed for applications where precise fine focus adjustment is required. Rack and pinion mount allows smooth, precise focusing over 33 mm of travel. Coarse focus mechanism incorporates a slip clutch and tension adjustment. Fits 20mm mounting post, 84.2mm diameter opening accepts 84mm stereo microscope body. Note: 71mm mounting pins require FC11 extension

Pole-type STANDS



P

P STAND

Pole-type stand with F holder focus block mounted on a plain base. Supplied with one 94.5mm diameter reversible black and white stage plate and two stage clips.

Dimensions: Length: 230mm / Width: 150mm
Height: 248mm / Pillar Diameter: 20mm

PK STAND

Pole-type stand with F holder focus block mounted on a plain flat base making much of stability and work-efficiency. PK stand accepts all MEIJI EM series binocular stereo microscope bodies.

F holder can be fixed at any position of pole. Supplied with one 94.5mm diameter reversible black and white stage plate and two stage clips.

Dimensions:
Length: 265mm / Width: 330mm
Height: 280mm / Pillar Diameter: 20mm



PK



PL

PL STAND

Pole type stand with FX holder focus block with incident light illuminator port mounted on a plain base. Supplied with one 94.5mm diameter reversible black and white stage plate and two stage clips.

Dimensions:
Length: 230mm / Width: 150mm
Height: 248mm / Pillar Diameter: 20mm



PX

PX STAND

Extended working distance pole-type stand with FX holder focus block with incident illuminator port mounted on a plain base. Supplied with one 94.5mm diameter reversible black and white stage plate and two stage clips.

Designed for use with the EMX-1 extended working distance stereo body.

Dimensions:

Length: 230mm / Width: 150mm
 Height: 290mm / Pillar Diameter: 20mm

PC STAND

Pole-type stand with FC coaxial coarse and fine focus block mounted on a plain base. 55mm Z axis travel. 138mm distance from optical center to center of mounting post. Supplied with one 94.5mm diameter reversible black and white stage plate and two stage clips.

Dimensions:

Length: 230mm / Width: 150mm
 Height: 248mm / Pillar Diameter: 20mm



PC



PBH

PBH STAND

Pole-type stand with F holder focus block. Provides both transmitted and incident halogen illumination with variable intensity control. Illuminators may be operated independently or simultaneously.

Supplied with a 94.5mm diameter clear glass stage plate, reversible black and white stage plate and two stage clips.

6V 10W Halogen

Dimensions: Length: 240mm / Width: 160mm
 Height: 280mm / Pillar Diameter: 20mm

Bulbs: Incident: MA570 / Trans: MA570

Pole-type STANDS



PKL

PKL STAND

Pole-type stand with F holder focus block mounted on a flat base with integrated LED transmitted and incident illumination system. Automatic Voltage sensing power supply is incorporated.

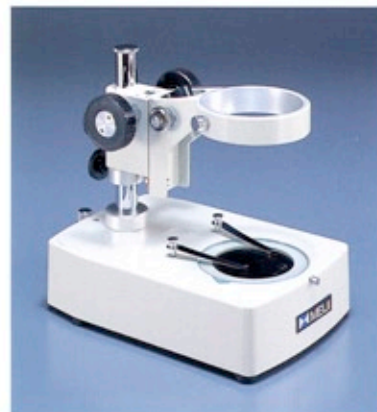
PKL stand accepts all MEIJI EM Series binocular and trinocular bodies.

Dimensions: Length: 300mm / Width: 320mm
Height: 255mm / Pillar Diameter: 20mm

BX STAND

Pole-type stand with FX holder focus block with incident illuminator port. Transmitted light base includes a fully rotatable mirror for brightfield or "pseudo" darkfield work. Supplied with a 94.5mm diameter clear glass stage plate and two stage clips. Base and focus block accept optional versatile type illuminators. (MA264H or MA264)

Dimensions: Length: 240mm / Width: 160mm
Height: 280mm / Pillar Diameter: 20mm
Bulbs: Incident: MA570 / Trans: MA570



BX

Rigid arm STANDS



A

A STAND

Rigid-arm type stand with integral focus block mounted on a plain base. Supplied with one 94.5mm diameter reversible black and white stage plate and two stage clips.

Note: The A stand is intended for use with fixed or turret type stereo bodies.

Dimensions: Length: 230mm / Width: 150mm
Height: 203mm

AZ STAND

Rigid-arm type stand with integral focus block mounted on a plain base. Supplied with one 94.5mm diameter reversible black and white stage plate and two stage clips.

Note: The AZ stand is intended for use with zoom stereo bodies.

Dimensions: Length: 230mm / Width: 150mm
Height: 203mm



AZ



AB

AB STAND

Rigid-arm type stand with integral focus block . Provides transmitted and incident tungsten illumination which may be operated independently or simultaneously. Supplied with a 94.5 mm diameter clear glass stage plate, reversible black and white stage plate and two stage clips. 6V 7.2W

Note: The AB stand is intended for use with fixed or turret type stereo bodies.

Dimensions: Length: 240mm / Width: 160mm
Height: 233mm
Bulbs: Incident: MA560 / Trans: MA561

ABZ STAND

Rigid-arm type stand with integral focus block . Provides both transmitted and incident tungsten illumination which may be operated independently or simultaneously. Supplied with a 94.5 mm diameter clear glass stage plate, reversible black and white stage plate and two stage clips. 6V 7.2W

Note: The ABZ stand is intended for use with zoom stereo bodies.

Dimensions: Length: 240mm / Width: 160mm
Height: 233mm
Bulbs: Incident: MA570 / Trans: MA570



ABZ

With extended work surface

STANDS



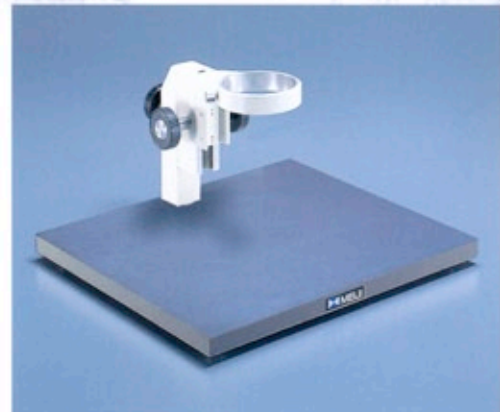
KBL

KBL STAND

Pole type stand with FX holder focus block with incident illuminator port mounted on a 380mm x 330mm x 20mm flat laminate base. Optional 100mm (4") pillar extension (MA551) can provide additional clearance or working distance.

Dimensions:

Length: 330mm / Width: 380mm / Height: 245mm



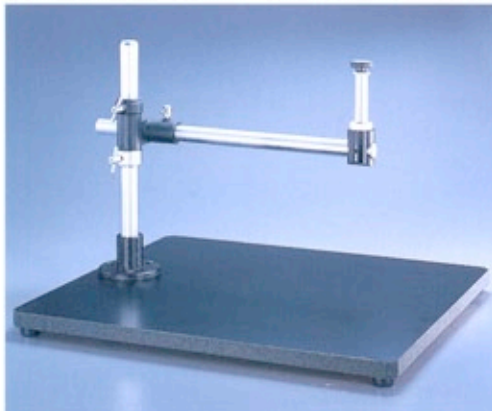
KBE

KBE STAND

Rigid arm type stand with integral focus block mounted on a 380mm x 330mm x 20mm flat laminate base. The rigid arm can be extended to accommodate large specimens and a wide variety of auxiliary objective lenses.

Dimensions:

Length: 330mm / Width: 380mm / Height: Variable



SBU

SBU STAND

Special universal-type stand with pillar, crossarm and mounting post mounted directly over a large flat laminate work surface. Provides flexible horizontal and vertical movement for large specimens. 20mm diameter short mounting post accepts optional F, FX or FC holders.

Base: 580mm x 500mm x 38mm.

Dimensions:

Horizontal pole / Length: 480mm / Diameter: 25mm
Vertical pole / Length: 365mm / Diameter: 29mm

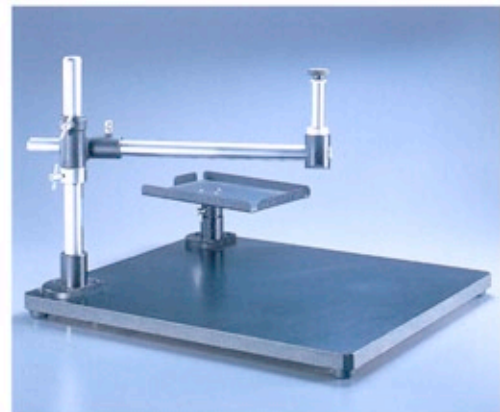
UL STAND

Special universal-type stand with pillar, crossarm, mounting post, and rotatable tray to hold optional fiber optic light source. Provides flexible horizontal and vertical movement for large specimens. 20mm diameter short mounting post accepts optional F, FX or FC holders.

Base: 580mm x 500mm x 38mm.

Dimensions:

Horizontal pole / Length: 480mm / Diameter: 25mm
Vertical pole / Length: 365mm / Diameter: 29mm



UL

Universal boom STANDS



S-4100

S-4100 STAND

Industrial-type boom stand with 20mm mounting post for F, FX or FC holders. Provides complete flexibility for horizontal and vertical adjustment. Sturdy solid metal 265mm x 265mm x 25mm base provides excellent stability.

Note: F, FX and FC holders must be ordered separately.

Dimensions:

Horizontal pole/Length: 530mm/Diameter: 25mm
Vertical pole/Length: 400mm/Diameter: 29mm

S-4200 STAND

Extended working distance industrial-type boom stand with 20mm mounting post for F, FX or FC holders. Provides complete flexibility for horizontal and vertical adjustment. Sturdy, solid metal 265mm x 265mm x 25mm base provides excellent stability.

Note: F, FX and FC holders must be ordered separately.

Dimensions:

Horizontal pole/Length: 530mm/Diameter: 25mm
Vertical pole/Length: 610mm/Diameter: 29mm



S-4200



S-4300

S-4300 STAND

Industrial-type boom stand with adapter(MA552)for FS holder. Provides complete flexibility for horizontal, vertical and angular adjustment. FS holder can be inclined 180° and rotated 360°, 16mm diameter mounting pin. Sturdy, solid metal 265mm x 265mm x 25mm base.

Note: FS holder must be ordered separately.

Dimensions:

Horizontal pole/Length: 530mm/Diameter: 25mm
Vertical pole/Length: 400mm/Diameter: 29mm

S-4400 STAND

Extended working distance industrial-type boom stand with adapter (MA552) for FS holder. Provides complete flexibility for horizontal, vertical and angular adjustment. FS holder can be inclined 180° and rotated 360°, 16mm diameter mounting pin. Sturdy, solid metal 265mm x 265mm x 25mm base.

Note: FS holder must be ordered separately.

Dimensions:

Horizontal pole/Length: 530mm/Diameter: 25mm
Vertical pole/Length: 610mm/Diameter: 29mm



S-4400

Articulated Arm, Clamp Boom, Extended Work Surface STANDS



FA-1

FA-1 ARTICULATED ARM STAND

Articulated arm stand for bench top attachment. Supplied with mounting flange, two piece folding arm, vertical mounting pillar and 20 mm diameter mounting pin for focus block. Maximum distance from rod to center of optical axis is 1000mm.

Note: F, FX or FC holder must be ordered separately.

Dimensions:

Length: 1100mm/Width: 100mm/Height: 560mm
Pillar Diameter: 20mm

FA-2 ARTICULATED ARM STAND

Articulated arm stand designed for mounting to a vertical surface. Supplied with mounting flange, two piece folding arm, and 20 mm diameter mounting pin for focus block. Maximum distance from rod to center of optical axis is 1080mm.

Note: F, FX or FC holder must be ordered separately.

Dimensions:

Base/Length: 1100mm/Width: 100mm
Pillar Diameter: 20mm



FA-2



S-4500

S-4500 STAND

Industrial-type boom stand with 20mm mounting post for F, FX and FC holders. Provides complete flexibility for horizontal and vertical adjustment. Sturdy solid metal clamp provides excellent stability.

Note: F, FX and FC holders must be ordered separately.

Dimensions:

Horizontal pole/Length: 530mm/Diameter: 25mm
Vertical pole/Length: 400mm/Diameter: 29mm

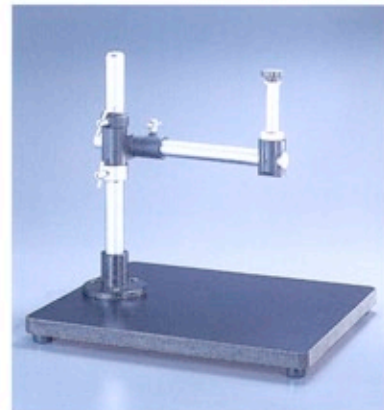
MU STAND

Special universal-stand with pillar, crossarm and mounting post mounted over a laminate work surface. Provides flexible horizontal and vertical movement for mid sized specimens. 20mm diameter short mounting post accepts F, FX or FC holders. Base: 350mm x 410mm x 30mm

Note: F, FX or FC holder must be ordered separately.

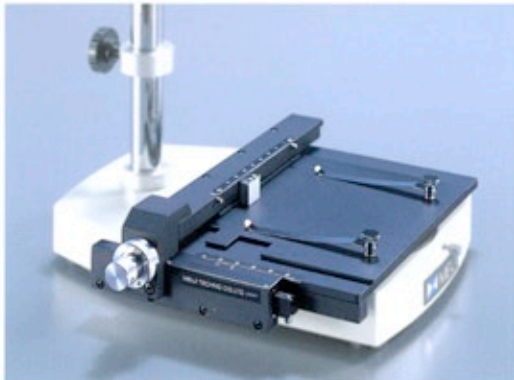
Dimensions:

Horizontal pole/Length: 330mm/Diameter: 25mm
Vertical pole/Length: 365mm/Diameter: 29mm



MU

STAGES



MA564

GRADUATED MECHANICAL STAGE

This stage has 0.1mm graduations and coaxial controls for precise movement of mounted specimens. Features a 116mm x 137mm work surface with stage clips, 50mm x 75mm X-Y travel.

Catalog Number: MA564

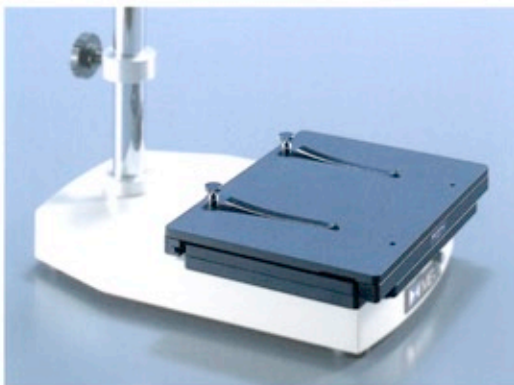
GRADUATED MECHANICAL STAGE WITH GLASS STAGE PLATE

This stage has 0.1mm graduations and coaxial controls for precise movement of mounted specimens. Features a 116mm x 137mm work surface with stage clips and 74mm x 96mm clear glass plate for use with transmitted light stands, 50mm x 75mm X-Y travel.

Catalog Number: MA564/05



MA564/05



MA565

UNGRADUATED MECHANICAL STAGE

This stage features a 125mm x 170mm work surface with stage clips. Roller bearing mount allows smooth, easy, fingertip control over 100mm x 100mm, X-Y travel.

Catalog Number: MA565

UNGRADUATED MECHANICAL STAGE WITH GLASS STAGE PLATE

This stage features a 125mm x 170mm work surface with stage clips and a 94.5mm diameter clear glass stage plate for use with transmitted light stands. Roller bearing mount allows smooth, easy, fingertip control over 100mm x 100mm, X-Y travel.

Catalog Number: MA565/05



MA565/05