

TOP TECH

# ALTOCUT-CM SERIES

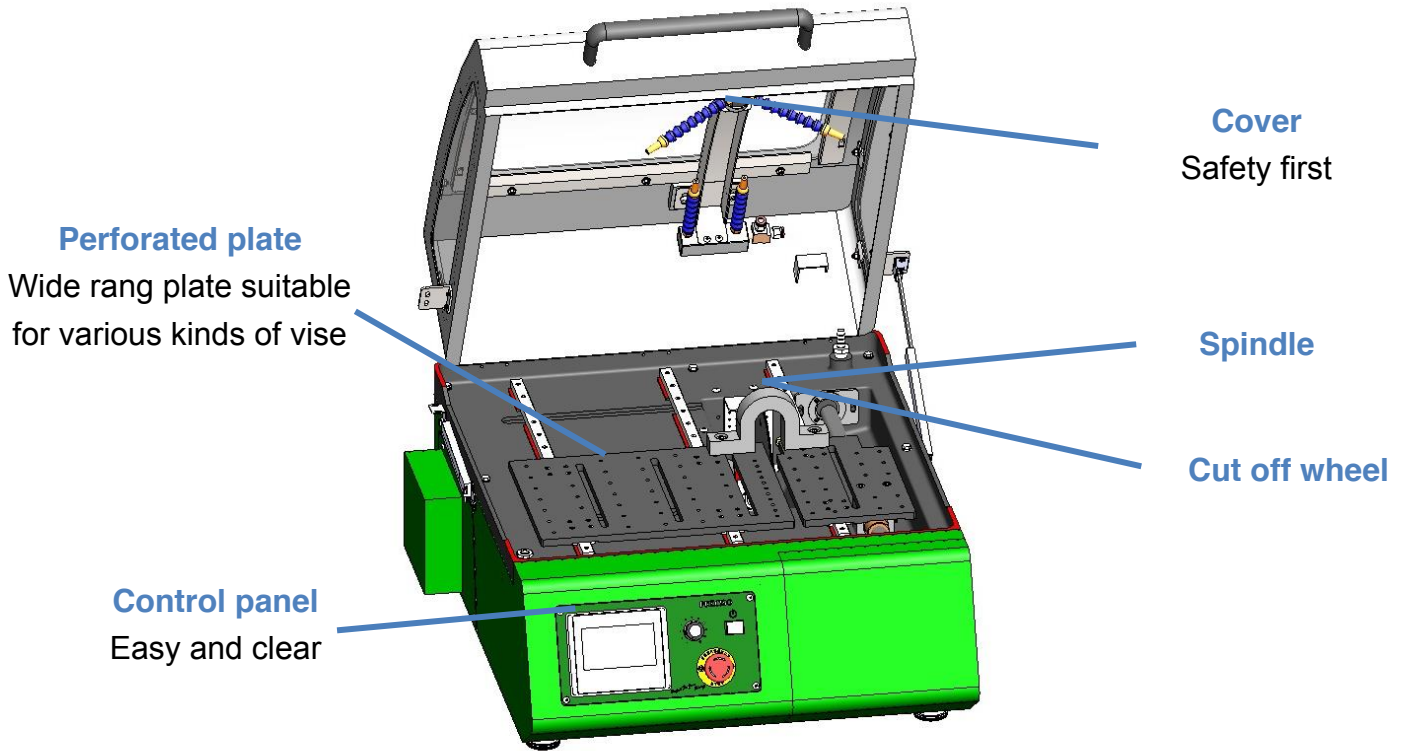
CM35B



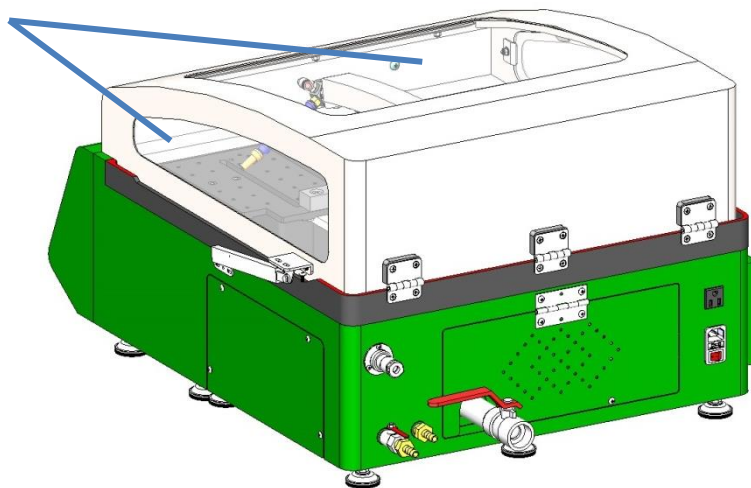


TOP TECH

## Instruction



**Front/side window**  
Machine viewing



## Worthy Options - Working Table Specification



**Working Table**  
 Multifunctional working table, it supplies you a place to put your machine and store your accessories. It can be moved easily.

Model No.	TF01	TF02
Size	1000*690*700 mm	1000*950*700 mm
Sample		

## Specification

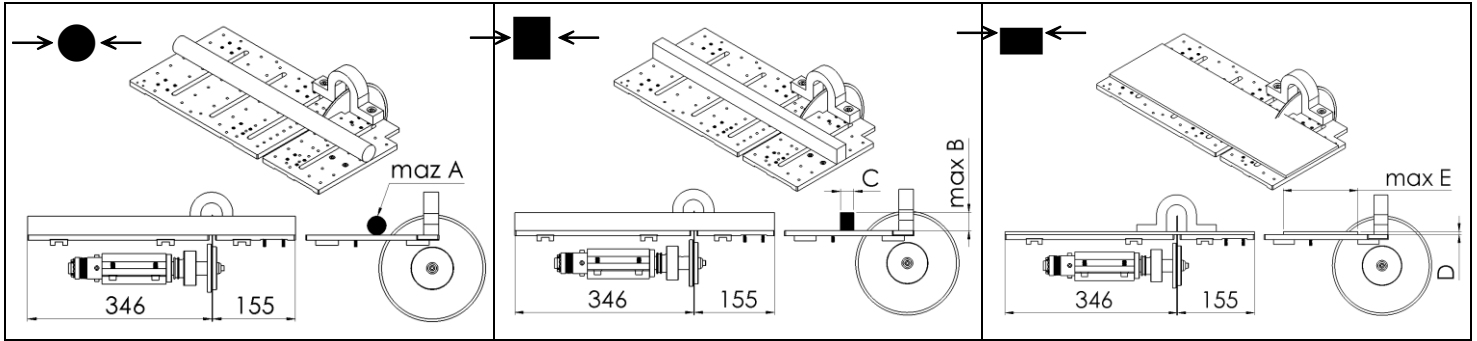
<b>Specification</b>		CM35B
<b>Motor power</b>		250W
<b>Perforated plate</b>		500mmx200mm
<b>Cut off blade</b>		Max. $\phi$ 200mm( 8")
<b>Feeding rate</b>		0~150 mm/min (Min:25)
<b>Feeding Method</b>	<b>Auto</b>	Button control, automatic home point return after cutting
	<b>Manual</b>	Button control
<b>Rotational speed</b>		0~2000RPM
<b>Horizontal movement</b>		250mm
<b>Clamp type</b>		Quick vise
<b>Cooling</b>		1/4 HP
<b>Water tank capacity</b>		17L
<b>Machine dimension WxDxH</b>		650mm x 890mm x 450mm
<b>Power supply</b>		1 $\phi$ AC220V
<b>Optional vise</b>		Special vise can be customized

**We reserve the right of change design without notice.**



TOP TECH

## Cutting Capacity



Model	●		■		■	
	A(mm)	A cutting area(mm <sup>2</sup> )	B(mm)	B x C	E(mm)	E x D
CLM35B	Ø35	961.625	35	35x25.8	60	60x15t
					E(mm)	E x D
					150	150x6t

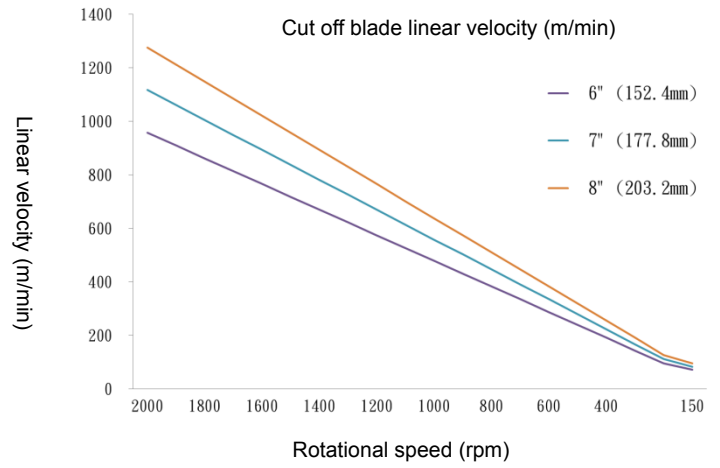
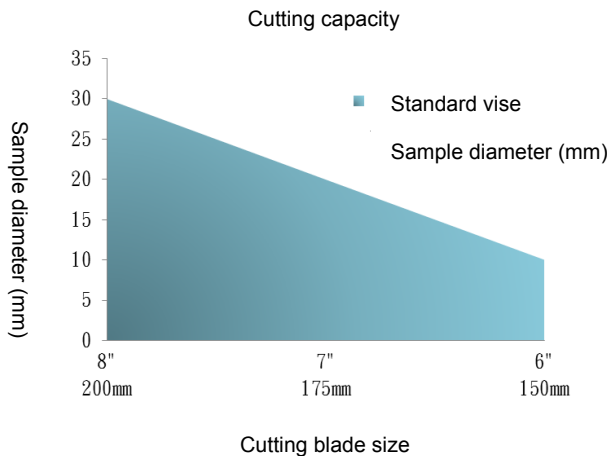
**Square area surface calculation method:**

The maximum height is B, the maximum width is E.  $B \times C$  or  $E \times D \leq A$  surface area.

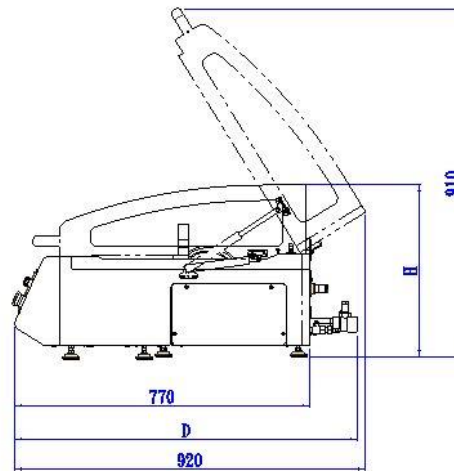
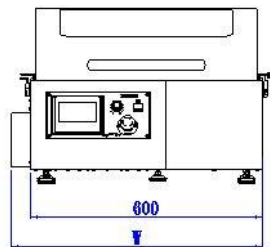
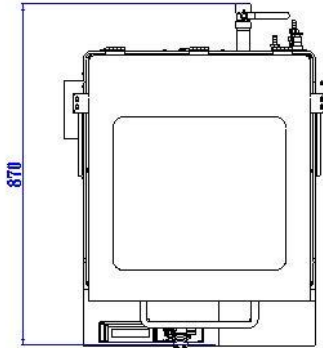
**Material application:** Alloy tool steel SKS, SKD, SKT, SUP as heat treatment mechanical metal components, ordinary carbon steel, mechanical structure steel S-C series, tool steel SK series, and soft steel SS series.

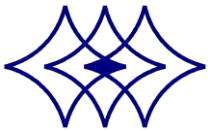
Surface area can be cut in according to its degree of heat treatment

## Parameter



- 1.Parameter for reference only.
- 2.Practical parameter depends on wheel, sample material, cutting speed, vise,etc.







TOP TECH

## Consumables

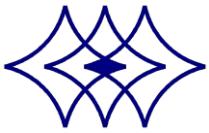
No	DIAMOND / CBN CUTTING		DIAMOND CUTTING	
	RESIN BOND		SEGMENTED RIM	
	DESCRIPTION		DESCRIPTION	
1	4"(100mm)	Ø100xØ12.7x0.5t	75mm	Ø75xØ11.5x1t
2	5"(125mm)	Ø125xØ12.7x0.5t	85mm	Ø85xØ11.5x1t
3	6"(150mm)	Ø150xØ12.7x0.5t	4"(100mm)	Ø100xØ12.7x0.5t
4	7"(175mm)	Ø175xØ25.4x0.6t	5"(125mm)	Ø150xØ25.4x1.2t
5	8"(200mm)	Ø200xØ25.4x1.0t	6"(150mm)	Ø150xØ25.4x1.2t
6	10"(250mm)	Ø250xØ31.75x2.0t	7"(175mm)	Ø175xØ25.4x1.2t
7	12"(300mm)	Ø300xØ31.75x2.0t	8"(200mm)	Ø200xØ25.4x1.2t

## COOLANT

No.	DESCRIPTION	SIZE	Q'TY/PACK
1	OIL BASED-Creamy white	1L	20L

DIAMOND	CBN
Asphalt Crystal Cermets Ceramics Concrete Ferrites Glass PCD/PCBN Quartz Stone Silicon Super Hardened Alloys Titanium Alloys	Alloy Steels Carbon steels Copper Alloys Die Steels Hardening Steels High-Speed Steels Heat-Resistant Alloys Super Heat-Resistant Alloys Sintered Metals (ferrous and others) Stainless Steels Tool Steels Bearing Steel
Alloys Aluminum    Cast iron Flame-Sprayed Metals Magnetic Materials Tungsten	



TOP TECH

*Perfect Surface.  
Always*

**Cutting / Mounting / Grinding & Polishing / Spin Coater**

**TOP TECH MACHINES CO.,LTD**

No.6-3,Siayuan Rd.,Dali,Taichung,412 Taiwan

Tel:886-4-24061658

Fax:886-4-24073200

<http://www.toptech.tw>

<http://toptech.snjapp.com>

E-mail: [top@toptech.tw](mailto:top@toptech.tw)

Agent



<http://www.toptech.tw>